

IMPORTANT – Please read these instructions carefully before assembling

GL1647 Seville Gazebo 3x3m Grey Assembly Instructions

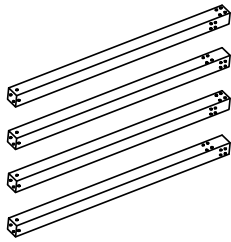
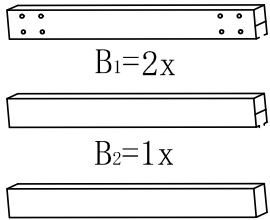
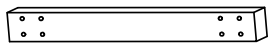
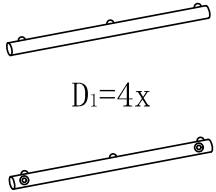
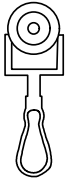
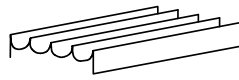
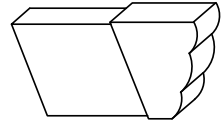
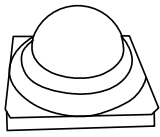
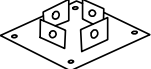
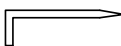
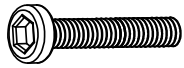

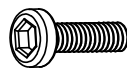
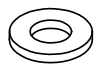




WE RECOMMEND 2 PEOPLE TO ASSEMBLE THIS GAZEBO

If you need help with assembly or missing parts please contact our customer care team on:
support@glendale-leisure.co.uk

Please check if you have all the parts as listed. **Note.** The quantities below are the correct amount to complete the assembly. In some cases more fittings may be supplied than are required.

Component Parts

<p> $A_1=1x$ $A_2=1x$ $A_3=1x$ $A_4=1x$ </p> 	<p> $B_1=2x$ $B_2=1x$ $B_3=2x$ </p> 	<p> $C=2x$ </p> 	<p> $D_1=4x$ $D_2=1x$ </p> 
<p> $E=15x$ </p> 	<p> $F=1x$ </p> 	<p> $G=14x$ </p> 	<p> $H=4x$ </p> 
<p> $J=4x$ </p> 	<p> $L=16x$ </p> 	<p> $M6*70$ mm $M=6x$ </p> 	<p> $M6*39$ mm $N=32x+2$ </p> 
<p> $M6*15$ mm $O=16x+1$ </p> 	<p> $\varnothing=6$ mm $P=22x+2$ </p> 	<p> $Q=32x+2$ </p> 	<p> $R=2x$ </p> 

Dimensions EXTERNAL	
Width	295 cm
Depth	295 cm
Height	240 cm

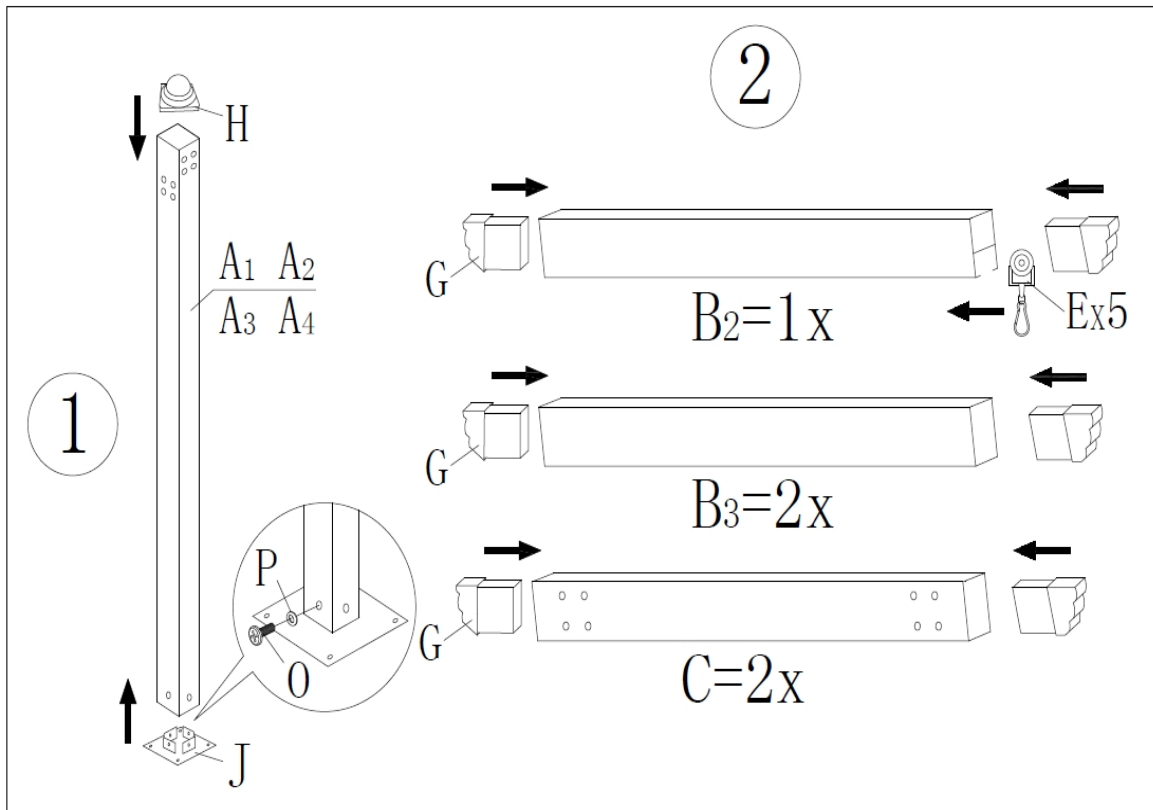
Assembly Requirements	
Number of people required to assemble	2
Approximate assembly time	45-1 Hour

If you need help with assembly or missing parts please contact our customer care team on:
support@glendale-leisure.co.uk

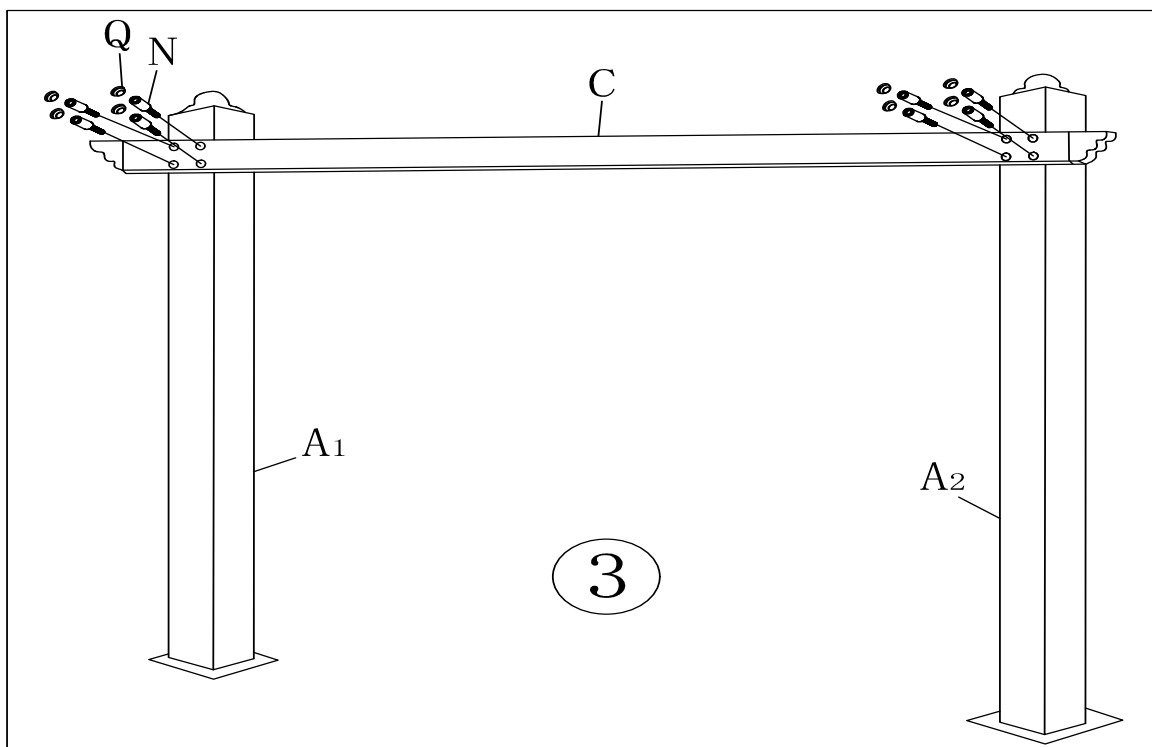
Assembly Instructions

Warning: loosely assemble frame before tightening all bolts in final position.

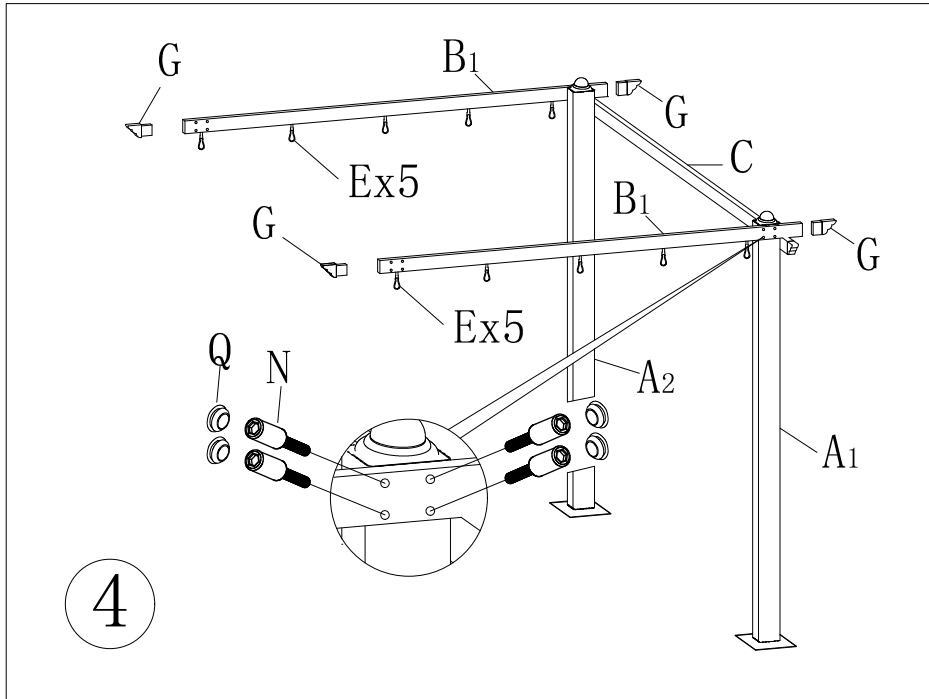
Step 1 and 2: assemble **A1-A4** legs and roof bars **B2,B3** and **C**. Insert 5pcs runner hanger **E** into **B2**.



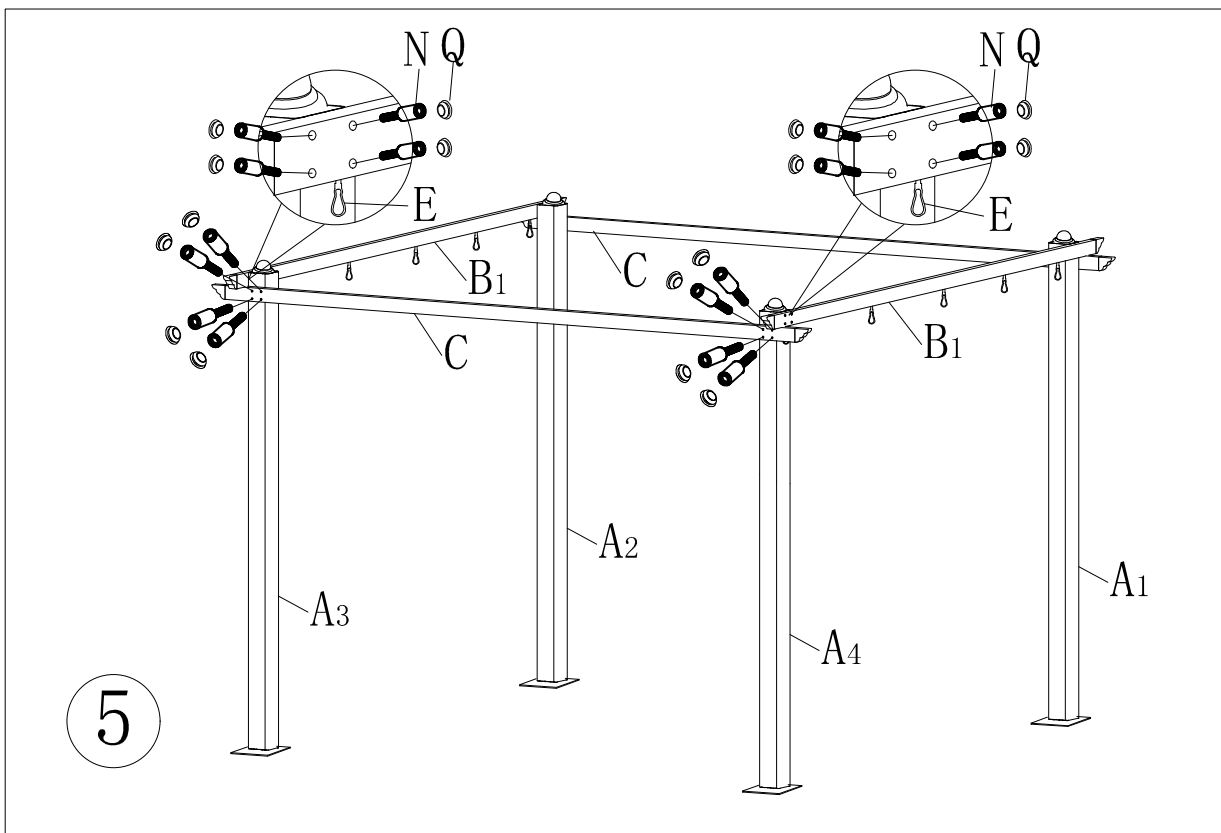
Step 3: joint legs **A1, A2** and roof bars **C** together



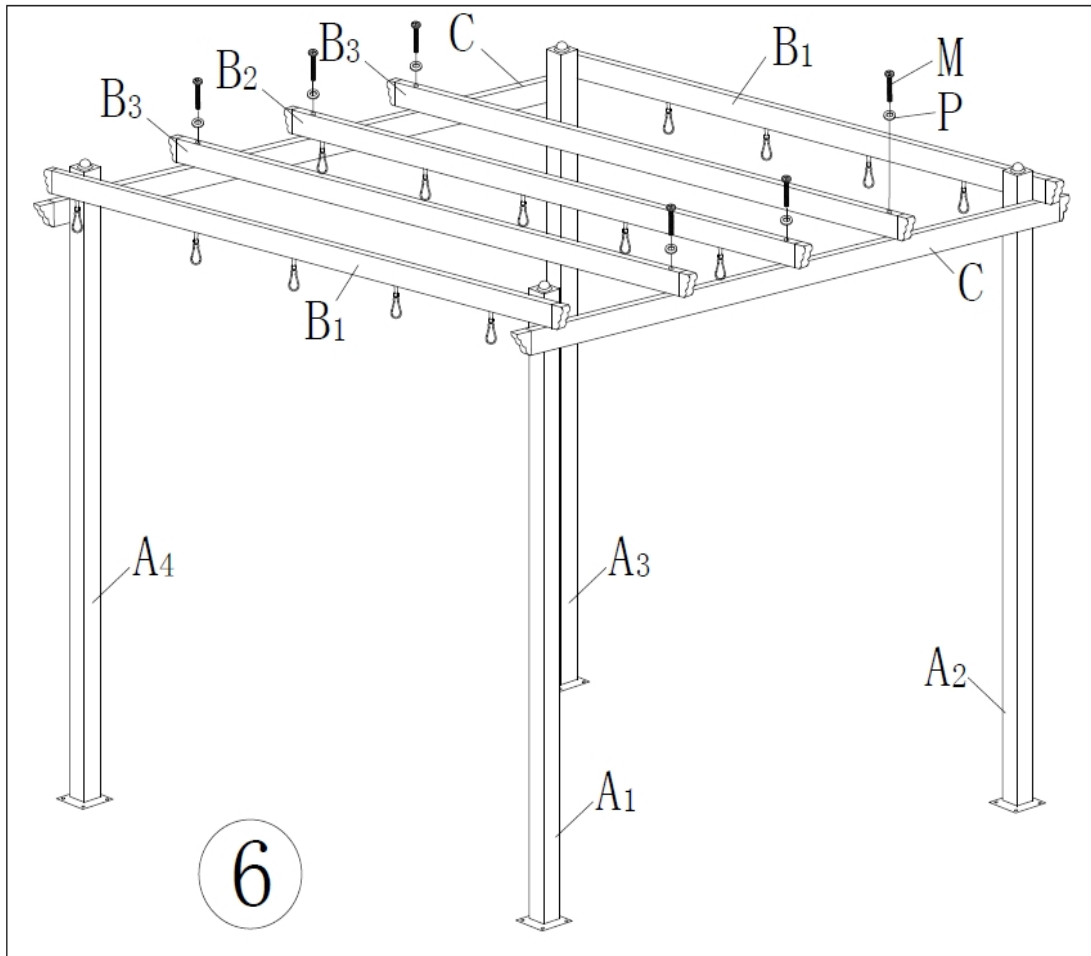
Step 4: joint roof bars **B1** together Insert 5pcs runner hanger **E** into each **B1** rail (refer to page 6 picture 1)



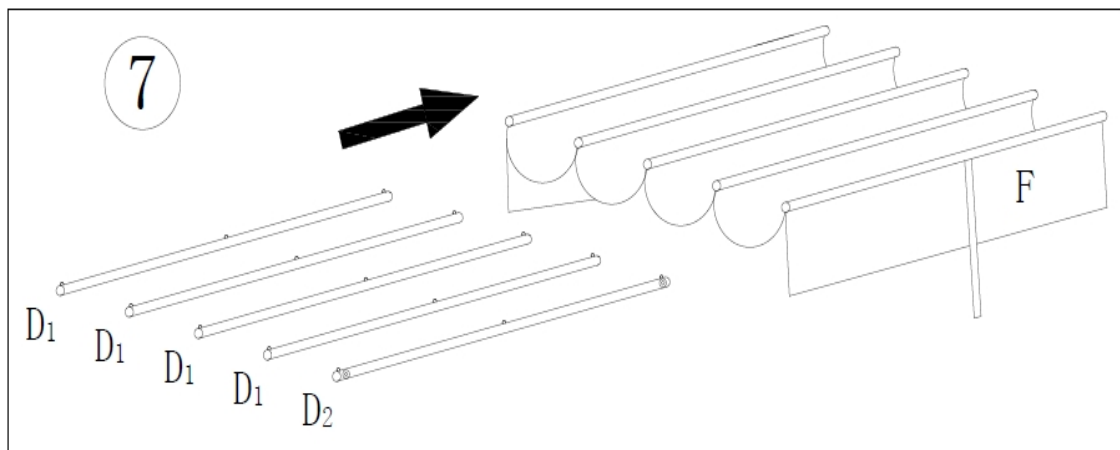
Step 5: assemble remaining two legs **A3** and **A4**



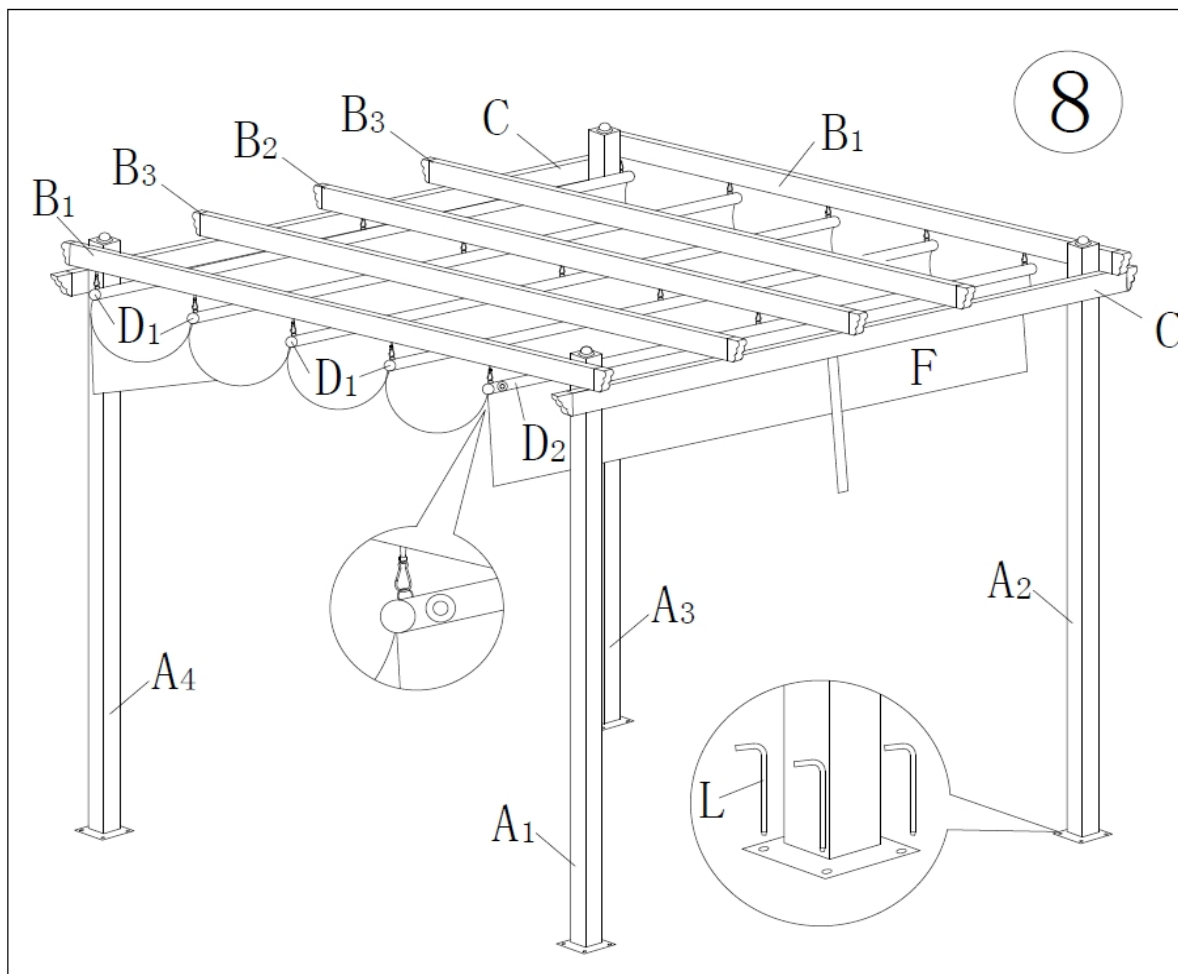
Step 6: assemble remaining three roof bars **B2** and **B3**



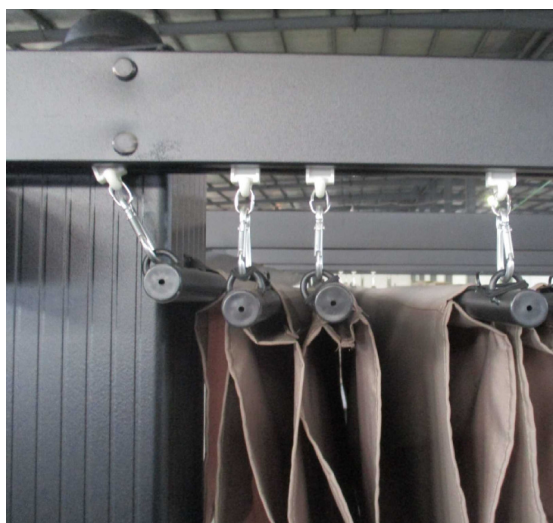
Step 7: insert round pole **D1** and **D2** then tie canopy **F** elastic loop on the rings at two end show on page 6 picture 2



Step 8: hook canopy **F** on the **B1 & B2** roof bar rails. Use the stakes **L** fixing footplates. **D2** round pole face to magnetic plate.



One side of canopy runner hanger **E** put into the rail between **B1** fixing screws to lock. Another side **D2** pole hold by the magnetic plate.



Picture 1



Picture 2

Safety and Care Advice

Your Gazebo can be opened and closed as you wish, to keep the material looking fresh, we recommend spraying a waterproof/scotch guard spray on the top of the canopy at least twice a year this will prevent the deterioration of the material. (Available from local hardware stores) The frame can be left outside all year round but we advise the canopy is taken off during the winter months and stored in a cool dry place (do not store wet). This will prevent the canopy from ripping when it is applied again in the spring

Tip: Periodically remove any excess water that may catch in the canopy roof, this will prevent deterioration and will stop the canopy from sagging.

***VERY IMPORTANT**

YOU MUST SECURE YOUR GAZEBO TO THE GROUND AS SOON AS IT IS BUILT

FOR GRASS YOU CAN USE THE GROUND STAKES PROVIDED

FOR HARD SURFACE FIXINGS BOLTS MUST BE USED

Canopy roof material: Polyester



FOR SPARES OR REPLACEMENT CANOPIES PLEASE CONTACT US, THANKS FOR PURCHASING THIS GAZEBO.

Distributed by:

Glendale Leisure
Birmingham B5 5QB

www.Glendale-leisure.com

If you need help with assembly or missing parts please contact our customer care team on:
support@glendale-leisure.co.uk