


...**therra**  
**WOOD**  
Pergola


11803.  **Post**  
Width : 150 mm Height : 150 mm  
Long : 2500 mm


11706.  **Beam**  
Width : 220 mm Height : 60 mm  
Long : 6000 mm


11906.  **Joist**  
Width : 150 mm Height : 60mm  
Long : 4500/6000 mm

11046.  **Cladding**  
Width : 220 mm Height : 16 mm  
Long : 4000/6000 mm


21514.  **Cladding Finishing**  
Width : 40 mm Height : 68 mm  
Long : 4000 mm

61201.  **Re-inforcement Profile 60/32**  
Width : 60 mm Height : 32 mm  
Long : 170 mm

61202.  **Re-inforcement Profile 32/32**  
Width : 32 mm Height : 32 mm  
Long : 170 mm


61203.  **Re-inforcement Profile 60/47,5**  
Width : 60 mm Height : 47,5 mm  
Long : 6000 mm


12803.  **Post Cap**  
Width : 45 mm Height : 150 mm  
Long : -

12704.  **Beam Cap**  
Width : 60 mm Height : 220 mm  
Long : -

12904.  **Joist Cap**  
Width : 70 mm Height : 150 mm  
Long : -


62803.  **Post Holder 150 Y**  
Width : 65 mm Height : 200 mm  
Long : -

62804.  **Hidden Post Holder**  
Width : 150 mm Height : 200 mm  
Long : -


62903.  **Joist Connector 60U**  
Width : 60 mm Height : 80 mm  
Long :

92803.  **Post Lock Pin**  
Width : 10 mm Height : 170 mm  
Long : -

92903.  **Post Holder Wall Plug**  
Width : 8 mm Height : 75 mm  
Long : -

92020.  **Buildex Screw**  
Width : 8 mm Height : 80 mm  
Long : -

92001.  **Pergola Installation Screw**  
Width : 4 mm Height : 16 mm  
Long : -

92011.  **Cladding Installation Screw**  
Width : 4 mm Height : 16 mm  
Long : -

Essential Tools

1. Milling Cutter



2. Dual Side Mitter Saw



3. Drill



4. Automatic Screwdriver

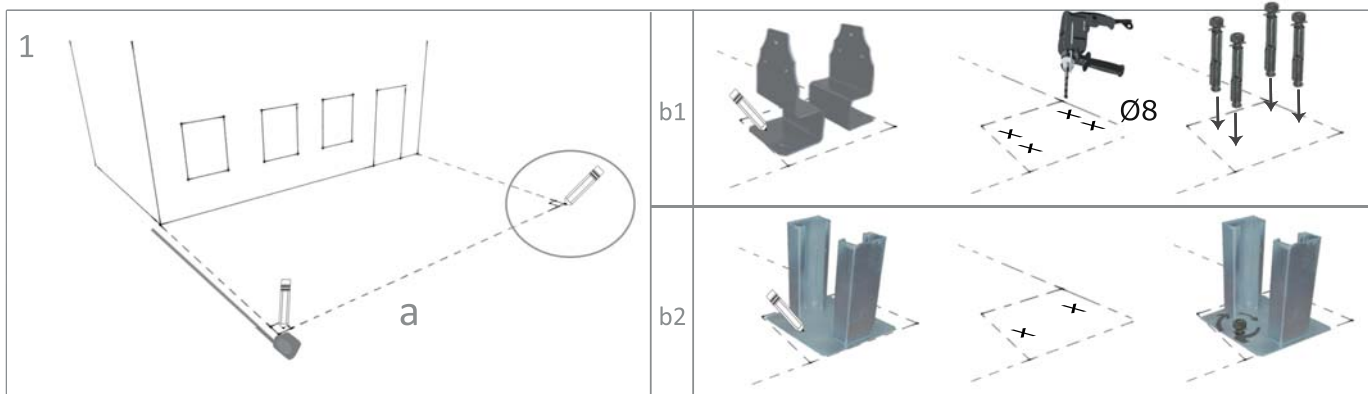


5. Pen



6. Ruller





1. Setting the ground squared:

1a. According to the measure planned of the pergola, apply the posts.

*It is important to keep the terrain surface leveled with the post holders*

1b. Marking the holes to be made for assemblage of post holders

Making the holes with drill marked places.

*Recommended drill bit is Ø8*

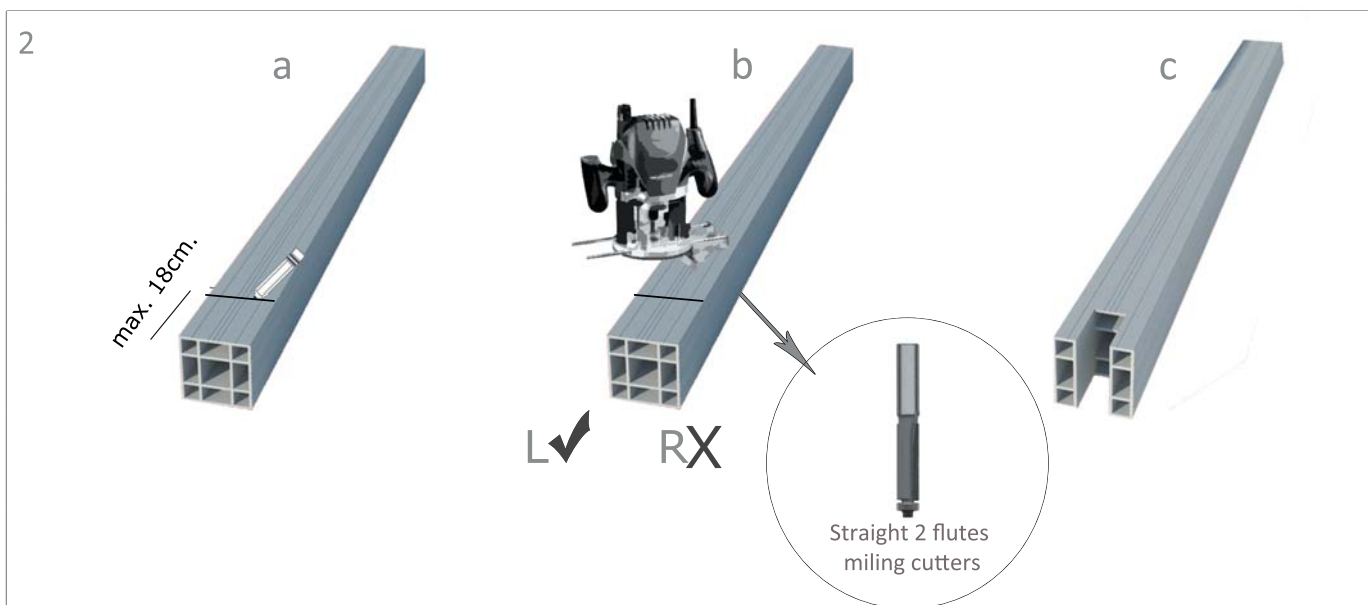
1b1. In case of the use of 150 Y Post Holders (62803) :

Inserting Post Holder Wall Plugs (92903)

It is recommended to arrange the position of holders in line with the axis of the wall

1b2. In case of the use of Hidden Post Holders (62903)

Directly assembling the holders on the ground



2. Caving the slots of the posts

2a. The slot where the beam will be posed, should be min 11cm , max 18cm

2b. Starting to cut with the help of straight 2 flutes milling cutters from left side.

2c. The standard length of the post is 2.500 mm. Upon the needs you may shorten

3

3. Preparing posts to connect with beam:

3a. Insert one 60/32 Reinforcement Profile (61201) inside middle chamber of each part of the beam slot

3b. Reinforcement profiles should be pushed inside 1,5cm more in order to let the post caps closing properly

3c. Mark the holes one at 3cm from the top and another at 3cm from the bottom  
*Recommended drill bit is Ø10.*

3d. To prevent the misplace of holes it is better to drill sides one by one

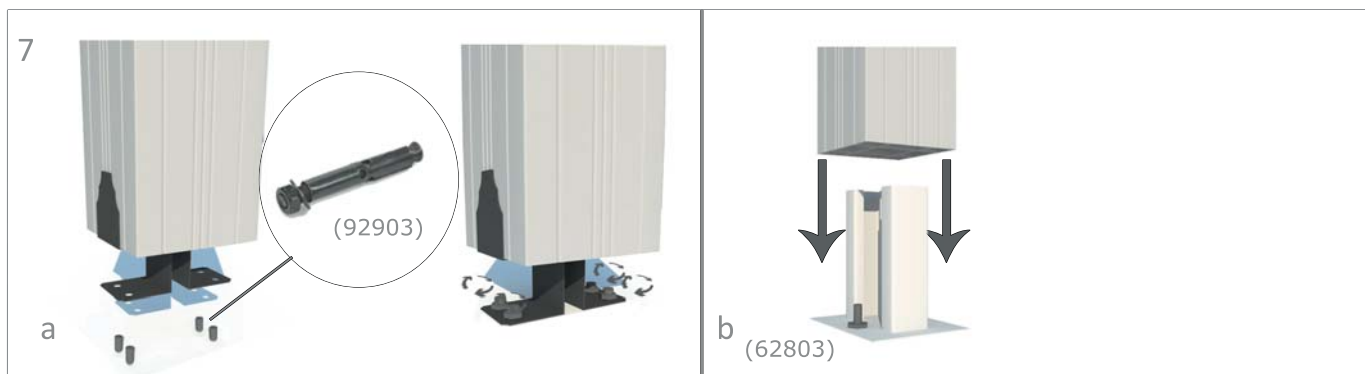
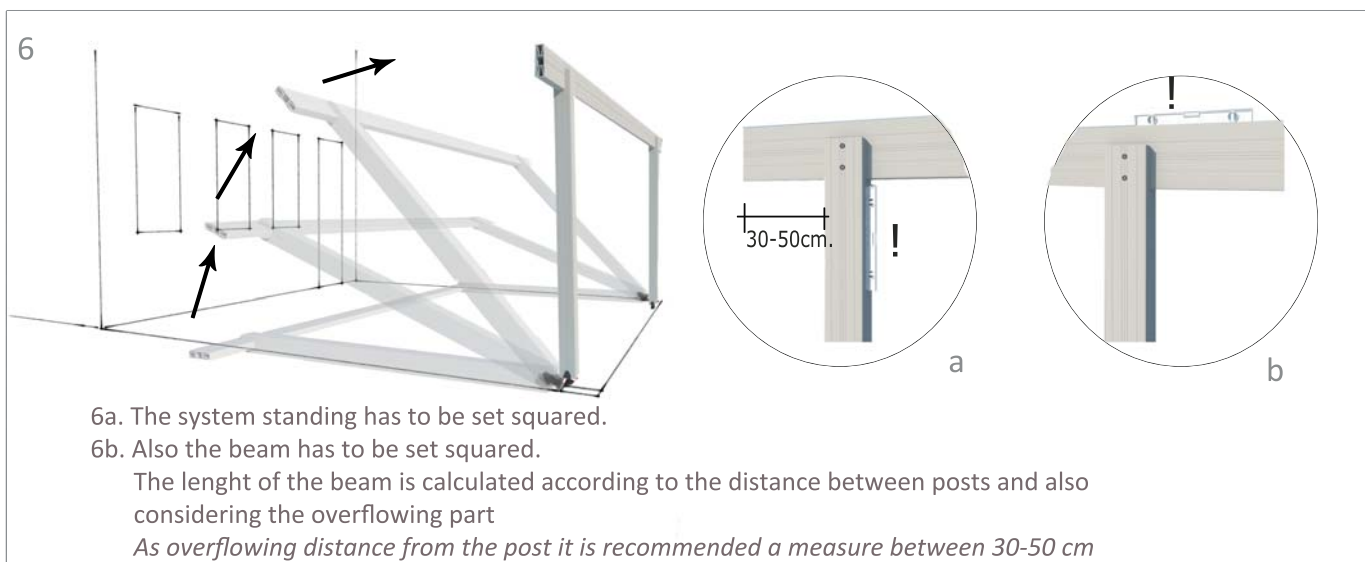
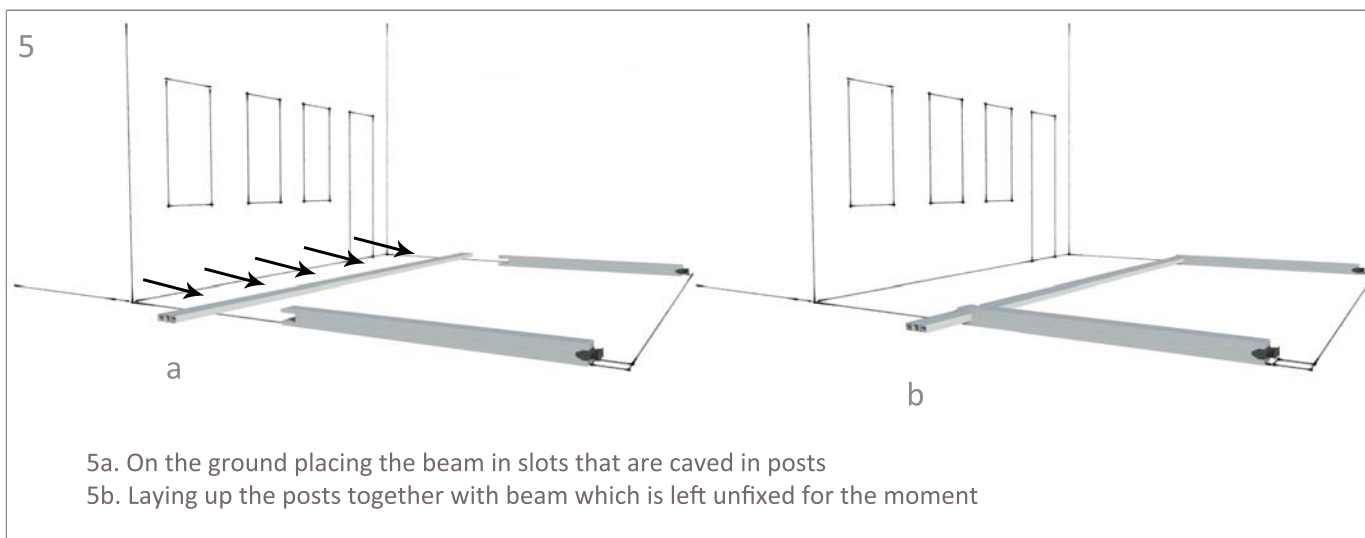
4

4. This step is valid only for 150 Y post (62803) holder use choice.

4a. Insert one 60/32 Reinforcement Profile (61201) in each lateral middle chambers of the post.

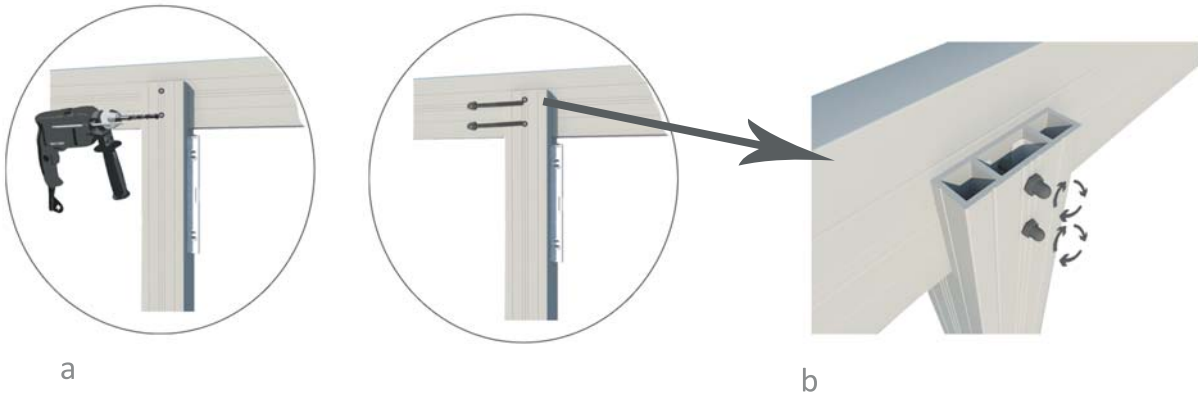
4b. First to center one piece of the older and to mount with Pergola Mounting Screws (92001).

4c. Apply the same for the other piece.



- 7a. Placing the 150 Y Post Holders (62803) upon the wall plugs (92903) already grounded.  
Wearing the nuts.
- 7b. In case of Hidden Post (62803) use:  
Wearing the posts on the post holders already installed.  
Opening a hole on a post to insert one piece of post lock pin (92803)

8



8. Assembling the beam :

Placing the beam inside thir slots

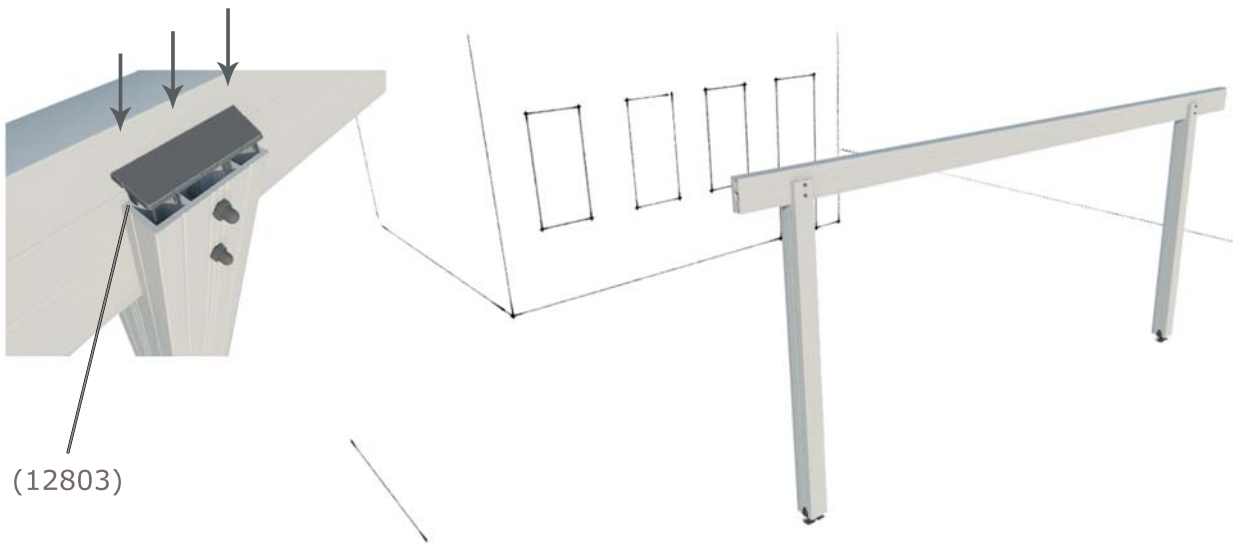
Pay attention to be sure that beam and posts have have been set perpendicular with the help of spirit level before assembling

*In case which the distance between the centers of posts exceeds 4m, you should insert 60/47,5 Reinforcement Profile (61203) inside the beam.*

8a. Drilling the beam through the post assembling holes

8b. Fixing each posts with 2 Post Lock Pins (92803)

9



9. Inserting the post caps

You may pass to next step: assembling the joists

10

10. Inserting the Joist Caps (12904) :

10a. Cut the joist starting from 6,5 cm below the top corner, with an 35° angle with the help of dual side mitter saw

10b. Insert the caps (12904)

*In case the lenght of the joist is above 4,5m, it is recommended to put inside the middle chamber of the joist one 60/47,5 Reinforcement profile (61203)*

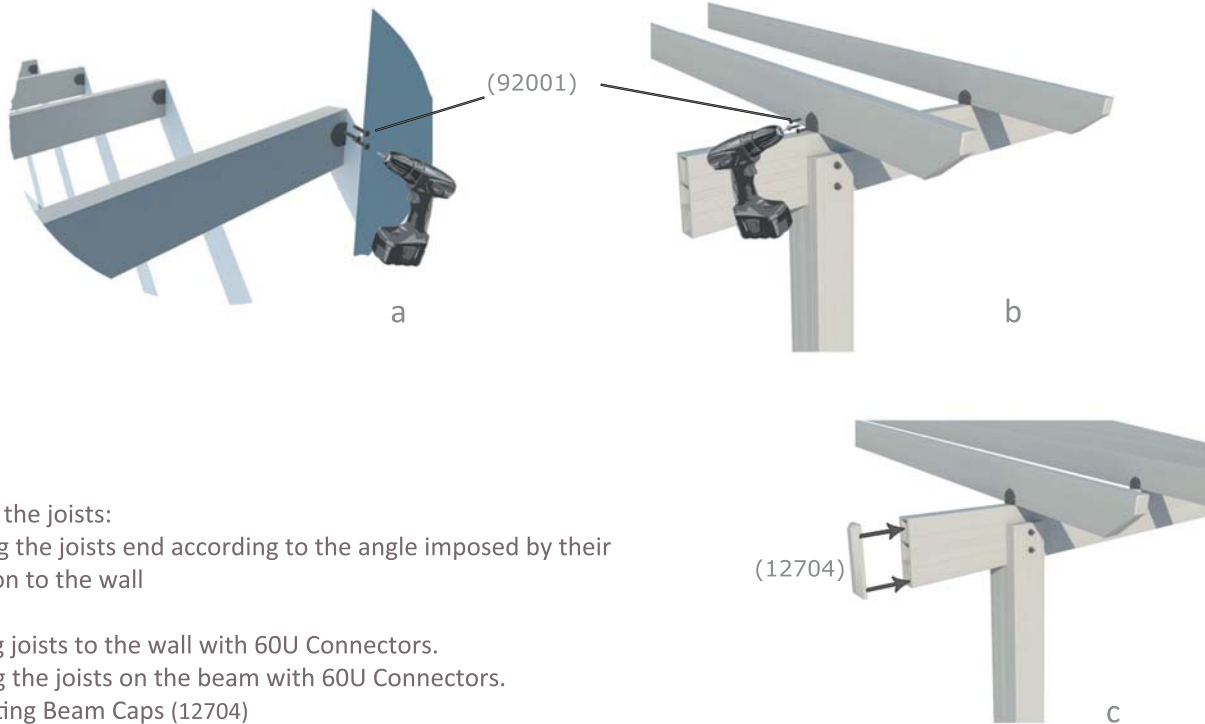
11

11. Preparing fixing place of joists:

11a. Respecting to the slope preferred for the joists, determine the assembling points on beam and respectively on the wall . Mark them.  
And mount on the wall the Joist Connectors 60U (62903)

11b. Also mount on the beam the same type of connector (62903)

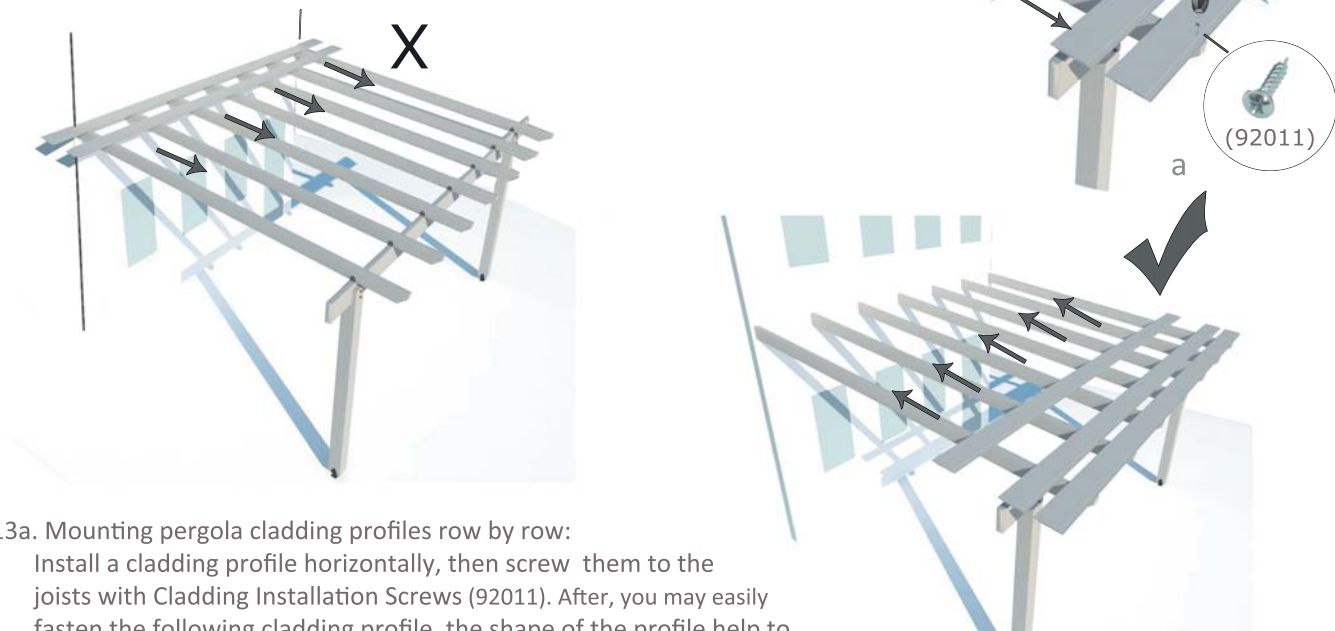
12



12. Fixing the joists:  
Cutting the joists end according to the angle imposed by their position to the wall

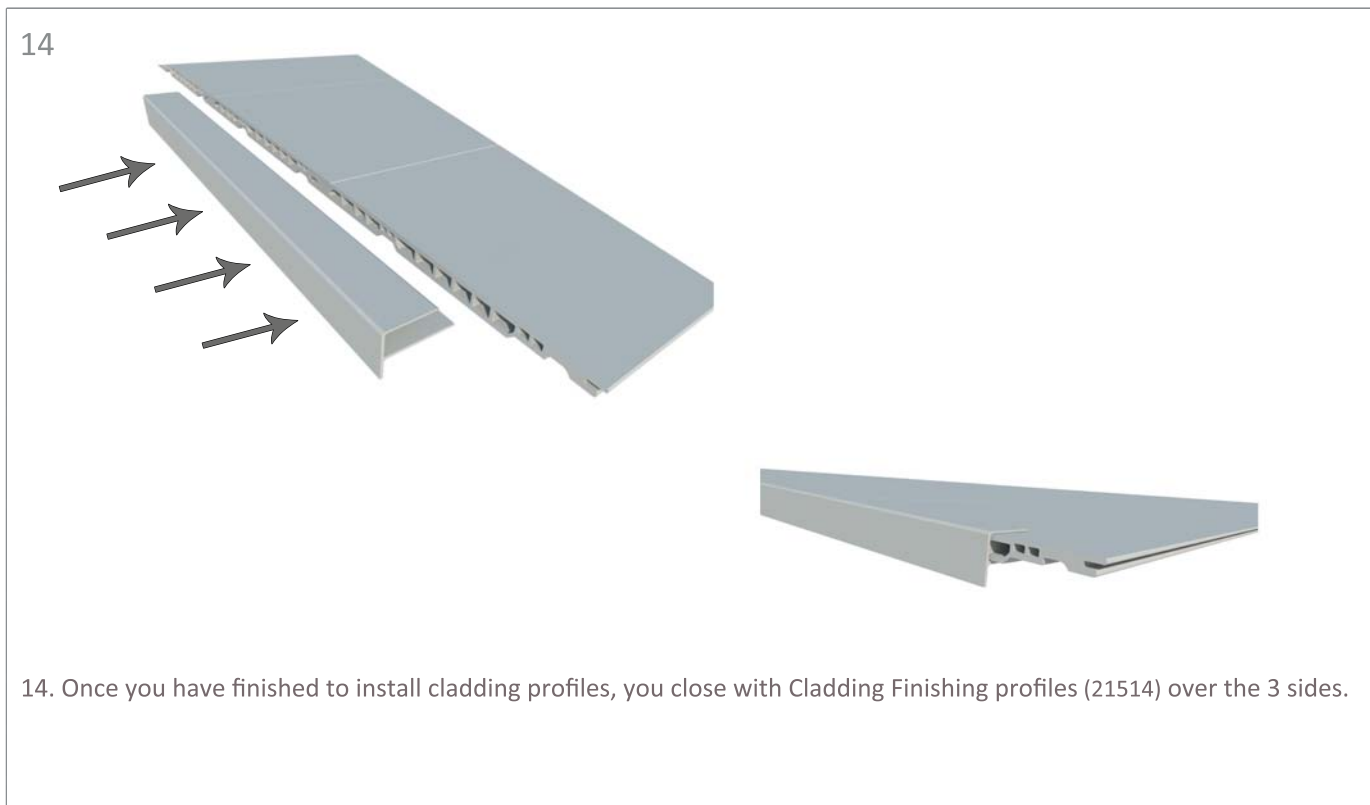
- 12a. Fixing joists to the wall with 60U Connectors.
- 12b. Fixing the joists on the beam with 60U Connectors.
- 12c. Inserting Beam Caps (12704)

13 This step is to be applied to Closed Pergola type.  
Start installing the Cladding Profiles (11046) from the beginning.

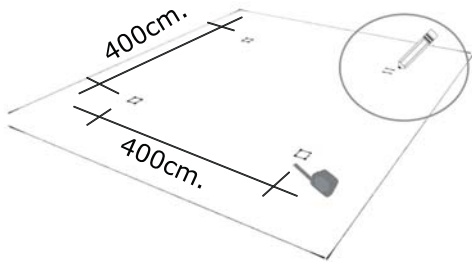


13a. Mounting pergola cladding profiles row by row:  
Install a cladding profile horizontally, then screw them to the joists with Cladding Installation Screws (92011). After, you may easily fasten the following cladding profile, the shape of the profile help to be clapped together firmly.





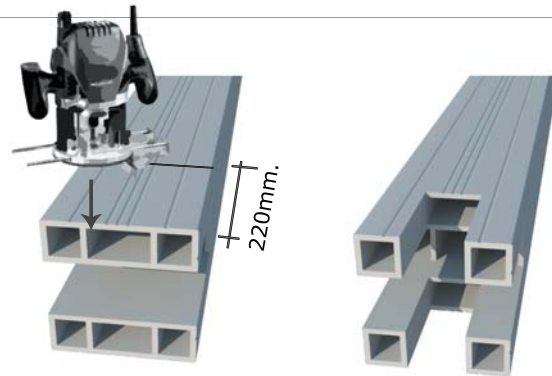
1



1. Setting the ground squared

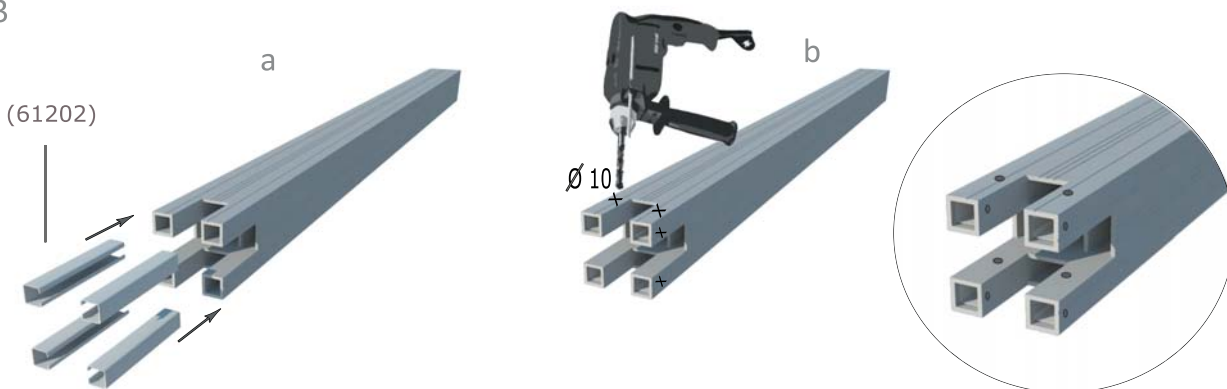
Follow A1 scheme steps.

2



Caving the slots of the posts:  
The slots have been craved by 22cm depth with milling cutter

3

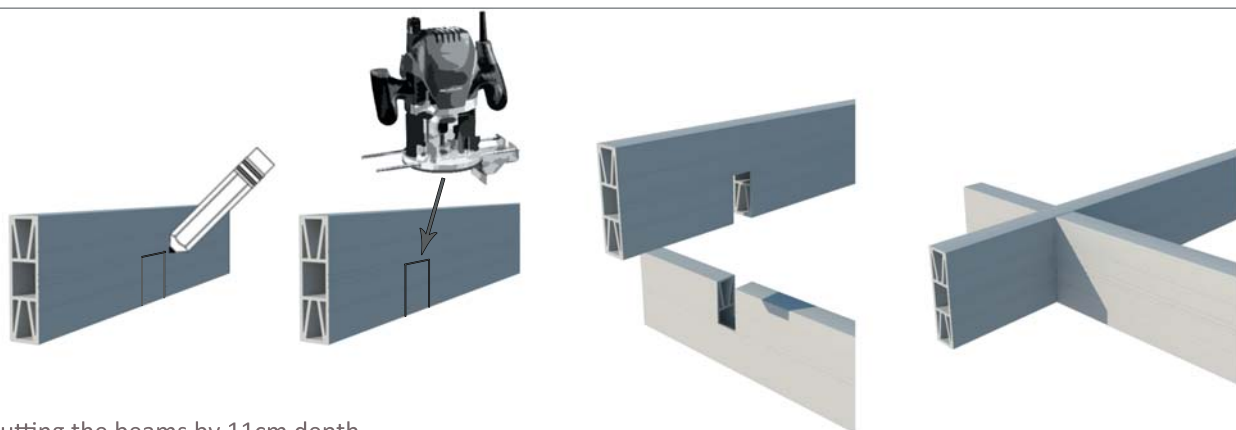


3. Opening the holes for post lock pins:

3a. First insert the four 32/32 Reinforcement Profiles (61202) inside the chambers

3b. Then drill for the holes. Pay attention to make the holes one side below, other side above to prevent overlapping the post lock stud-nuts (92803) inside

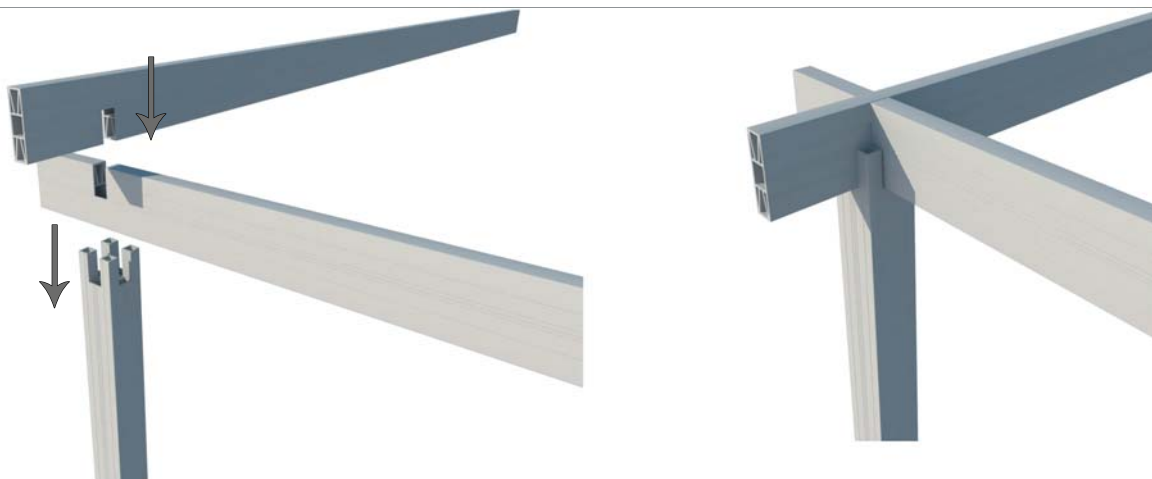
4



4. Cutting the beams by 11cm depth.  
Assembling them as showed.

Follow the steps: A4-A7

5



5. Placing the beams in the slots of the posts which are already fixed on the ground.  
Mounting them.  
Insert the beam caps.

6. Follow the steps: A10-A11b-A12a