



Assembly Instructions

Pavilion High Bar Chairs

(Product Codes: 63004924)

**PLEASE RETAIN THIS DOCUMENT ALONG WITH YOUR
PROOF OF PURCHASE FOR FUTURE**

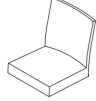

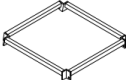






Congratulations on your recent purchase of your beautiful Hartman furniture. We hope it brings you countless special moments with friends and family for many years to come.

Please follow these simple steps to build your furniture. We also have a very useful video available online to assist with the assembly, please visit www.hartmanuk.com

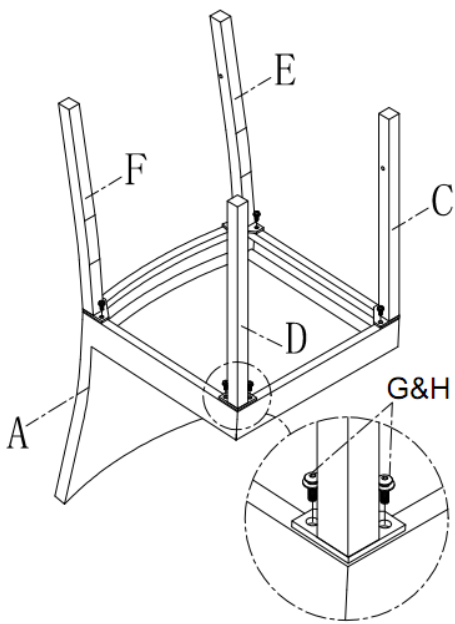
TOP TIPS

- Please read these instructions carefully before assembly, for further assistance please view our assembly video online for an easy step by step demonstration.
- Aluminium is a soft metal and over tightening may strip the thread or break the part, please loosely assembly your furniture before tightening to secure.
- Please **do not** use power tools, please use the Allen key provided in the bolt pack.
- Please allow 1 hour for assembly.
- This furniture can be assembled with **1** person; however, you may need someone to assist you when turning the furniture over into position.

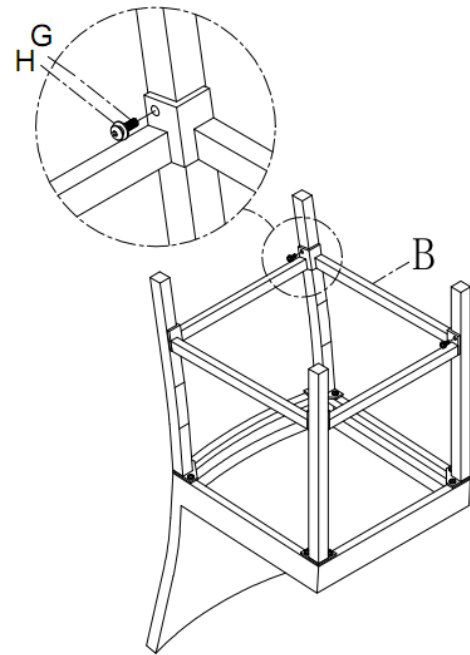
PARTS LIST

Components					Fixings				
Parts List	Parts Picture	Description	Qty	Part no	Parts List	Parts Picture	Description	Qty	Part no
A		Seat Frame	1	63004924A	G		M6*20 Bolts	12	1091162
B		Leg Support Square	1	63004924B	H		Big Flat Washers	12	1060162
C		Right Front Leg	1	63004924C	I		Allen Key	1	2002191
D		Left Front Leg	1	63004924D					
E		Right Rear Leg	1	63004924E					
F		Left Rear Leg	1	63004924F					

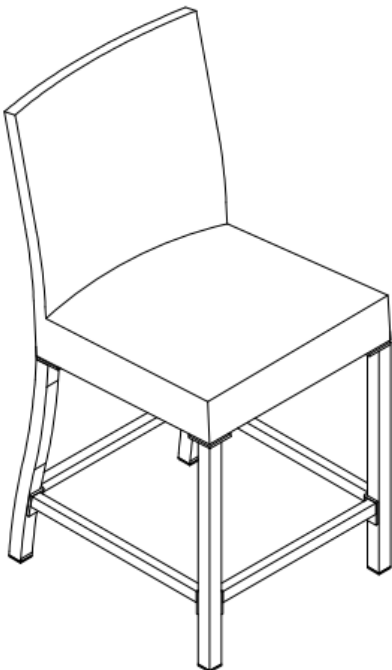
STEP 1 & 2 & 3: LEG ASSEMBLY



STEP 1: Loosely attach front and rear legs (C, D, E and F) to the seating frame (A) with bolts (G) and big flat washers (H) using Allen key (I).



STEP 2: Attach connecting rim (B) to the 4 legs with bolts (G) and big flat washers (H) using Allen key (I). Tighten all bolts using Allen key (I) one by one being careful not to over tighten any as this will cause the thread to become damaged



STEP 3: Turn the chair over and place in desired position. You can now use the chair.