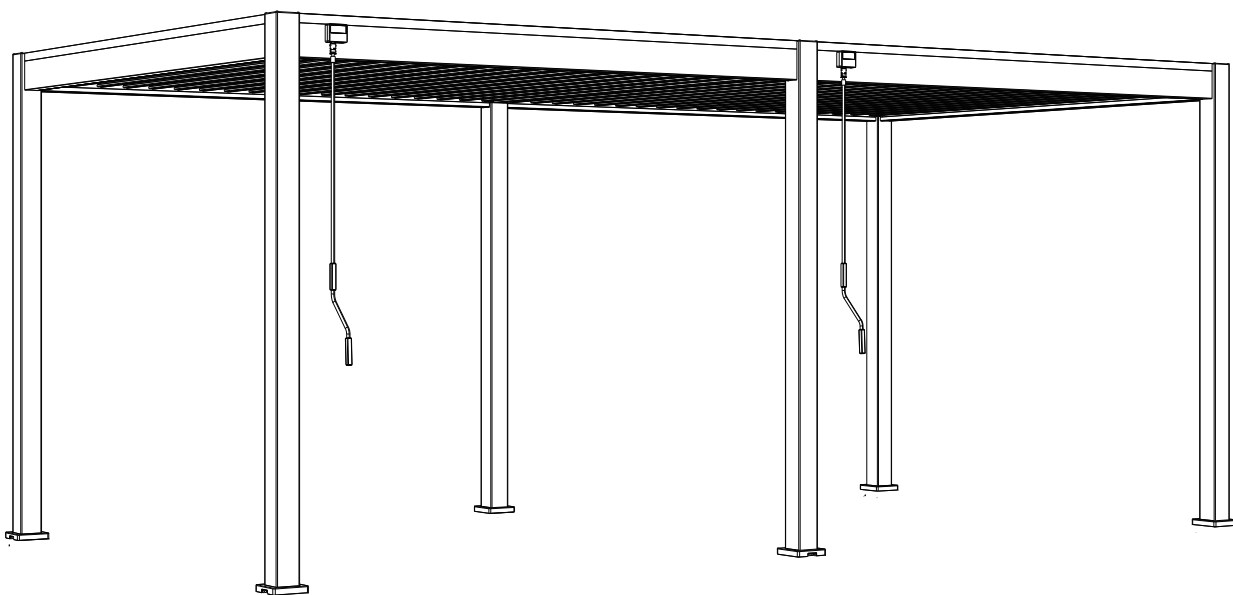


Intro Plus Manual

PERGOLA 3×6m

Assembly Instructions



PA-TA2A-H-B3-3060-TAAA2



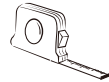
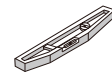
Outdoor
Living.ie

Intro plus Manual

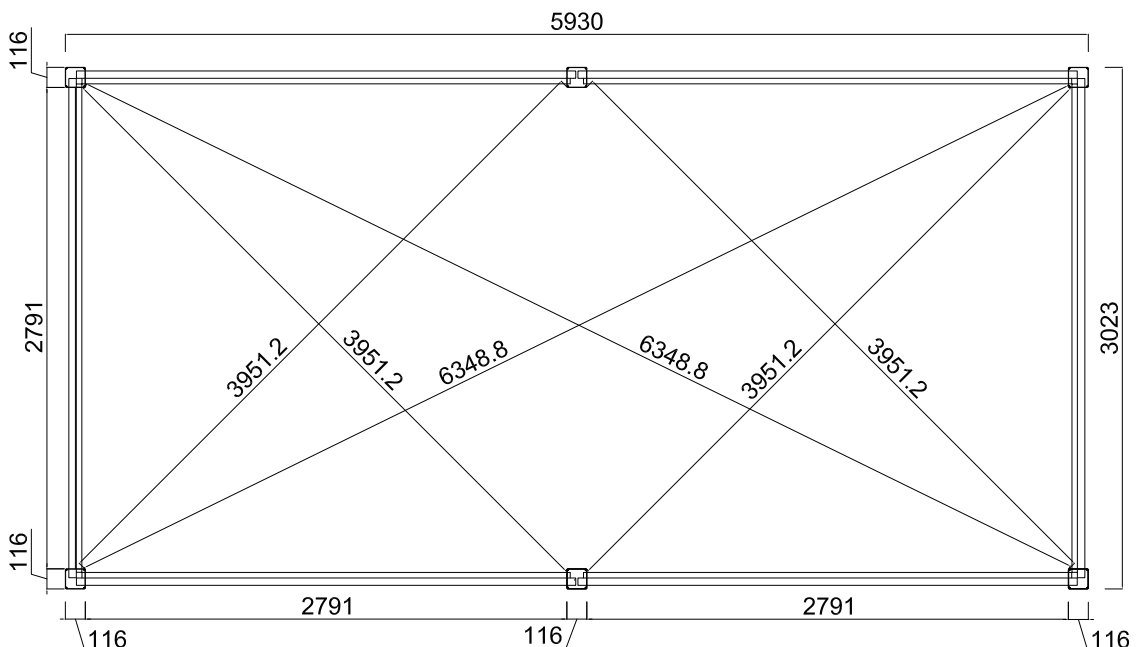
Aluminum Louvers Pergola 3×6m

These instructions have to be saved during the whole product life cycle. We advise you to read these very carefully before proceeding to the assembly. The user will be reliable for any damages or injuries caused due to incorrect or improper installation.

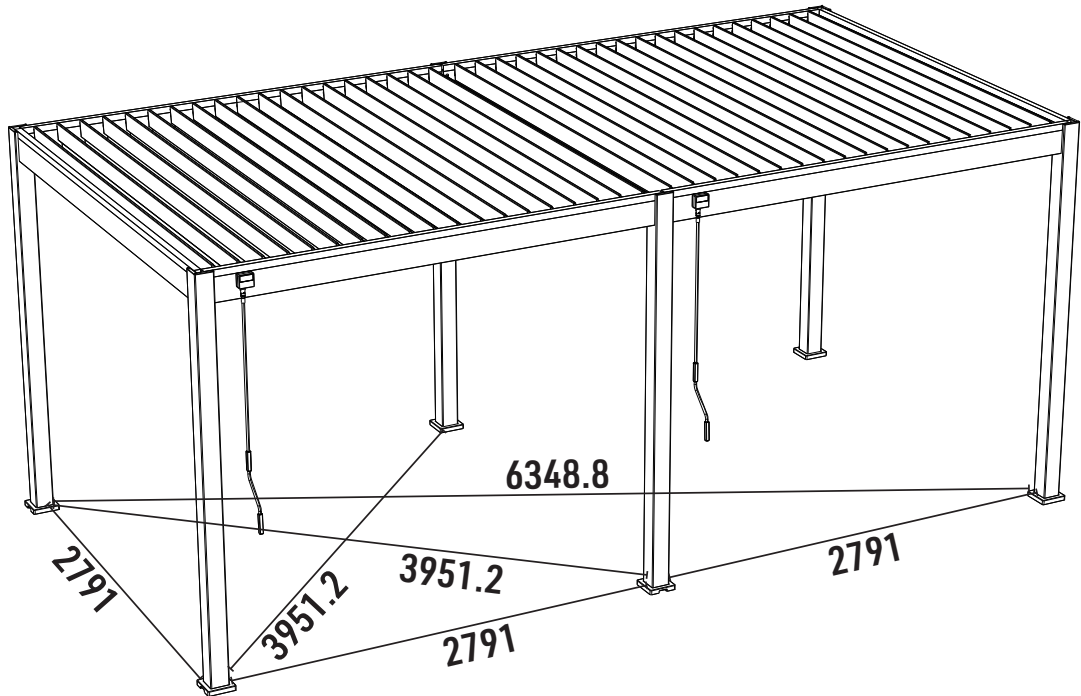
NECESSARY TOOLS AND SAFETY GEAR (NOT SUPPLIED)



2D FOOTING MEASUREMENT (dimensions in mm)



3D FOOTING MEASUREMENT (dimensions in mm)



PRECAUTION OF USE

This product should not be used in extreme weather: storms, violent winds, hail, and snow. We guarantee the resistance of the pergola for winds up to 100 km/h and a maximum snow weight of 50kg/m².

As in the case of strong winds or snow, we highly recommend leaving the louvers open. To maintain good working conditions of your louvers, please clear any snow on them.

Our pergola can withstand heavy rain, but we cannot guarantee it will be 100% waterproof due to some extreme weather conditions.

Exceptional climatic events may compromise the perfect sealing of the product.

To avoid any damages and injuries, we do not recommend climbing on the roof or the structure of the pergola.

TIPS AND SAFETY INSTRUCTIONS

Depending on the location and surface area, construction may be subject to building permits. Make sure you have checked with your local authorities to obtain the needed information before the assembly.

Product assembly :

- At least 2/3 people required
- Remove protective film (around 1 hour needed)
- Do not keep children near the assembly area
- Beware of the risk of pinching
- Do not tighten the screws before assembling the whole product
- All assembly steps must be carefully followed
- Check the level of the structure on all sides
- Do not anchor the pergola before assembling the whole product

No changes can be made to the product. Products tampered with by the user are not covered by the warranty, thus being declared as void.

The location should be chosen carefully. It is recommended to avoid mounting your pergola on a rainy day, facing the prevailing winds, and under an overhanging tree.

The pergola must be mounted on a flat-level foundation. It is recommended to install it on a concrete slab or 25x25 cm concrete pads at each post. Please, anchor the pergola properly to the ground using expansion screw.

If you would like to mount your pergola near your house or a building, please check the presence of gutters for water drainage.

Should these instructions not be followed or only partially, the warranty will be voided by the seller.

MAINTENANCE

Regular maintenance is necessary to ensure its longevity and aesthetic appearance.

We recommend to :

- Clean your pergola once or twice a year with fresh water using a sponge or cloth.
- Do not use detergent or an abrasive material.
- Check the tightness of the screws regularly (at least once a year).
- Oil fastening regularly (at least once a year).
- Make sure that nothing hinders the water flow in the gutters (leaves, branches...).
- Remove any water that might stagnate around the legs of the pergola (lift the posts skirts).

MAINTENANCE

This warranty does not cover :

- Normal wear and tear inherent from the products.
- Loss or breakage of any part during unpacking or installation.
- Lack of care, neglect, vandalism, impact with foreign body, force, contact with a brasives material, product aesthetics, disassembly, rebuilding or relocation.
- Force majeure: hail, high winds, storms, snow, floods, lightning etc...
- Product tampered with by the user.

The warranty only takes in account the replacement of spare parts or the provided product, no refund will be issued.

All warranty claims must be made at the sales outlet (store or website) where the product has been purchased.

PARTS LISTS (PER CARTON)


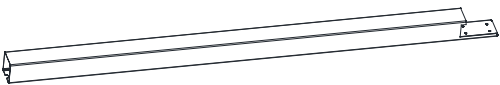
Before proceeding with the assembly of your louvered pergola, it is necessary to check that all parts listed are supplied and not damaged.

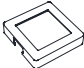

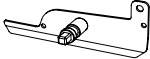
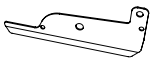
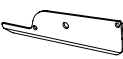








Any missing part must be reported within 10 days of delivery.





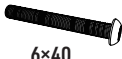




You can either go through your local outlet store or make the request directly on our website.





Do not discard the packaging without ensuring that the product is functioning properly.


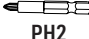

CARTON 1/5(POSTS AND LOOSE PARTS)

Reference	Parts	Quantity
A0		4
A0-1		2


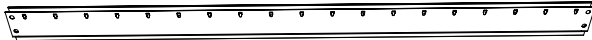
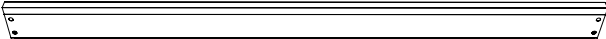
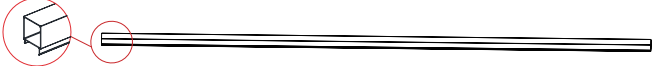



Reference	Parts	Quantity
I0		6
J0		6
K0		2
L0		36
L0-1		38
EO-1		2
MO		74
NO		2
OO		2
PO		2
QO	 6mm	24
RO		24
SO		76

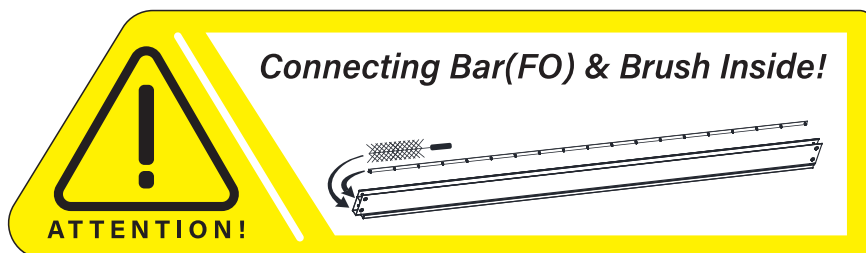
Reference	Parts	Quantity
T0	 10x80	24
U0	 lock nut	112
W0	 PH2	152
W0-1	 5x19	6
X0	 6x40	74
X0-1	 6x35	24
X0-3	 6x16	4
V0		38
Y0	 6x45	6

Reference	Parts	Quantity
ZO-1	 4mm	1
ZO-2	 4mm	1
ZO-3	 6mm	1
ZO-4	 6mm	1


Reference	Parts	Quantity
ZO-5	 10mm	1
ZO-6	 PH2	1
ZO-7		1

CARTON 2/5(BEAMS)


Reference	Parts	Quantity
B0		2
B0-1		2
C0		2
D0		4
E0		1
FO		2
H0		2




CARTON 3/5(LOUVERS)

Reference	Parts	Quantity
GO		13

CARTON 4/5(LOUVERS)

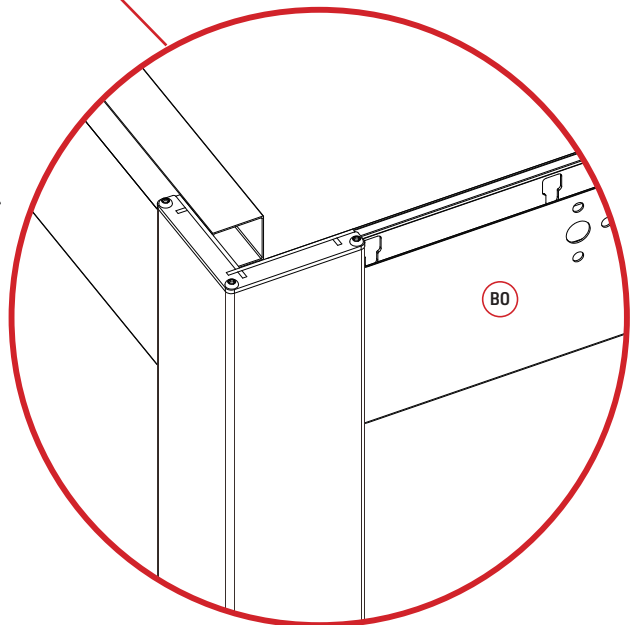
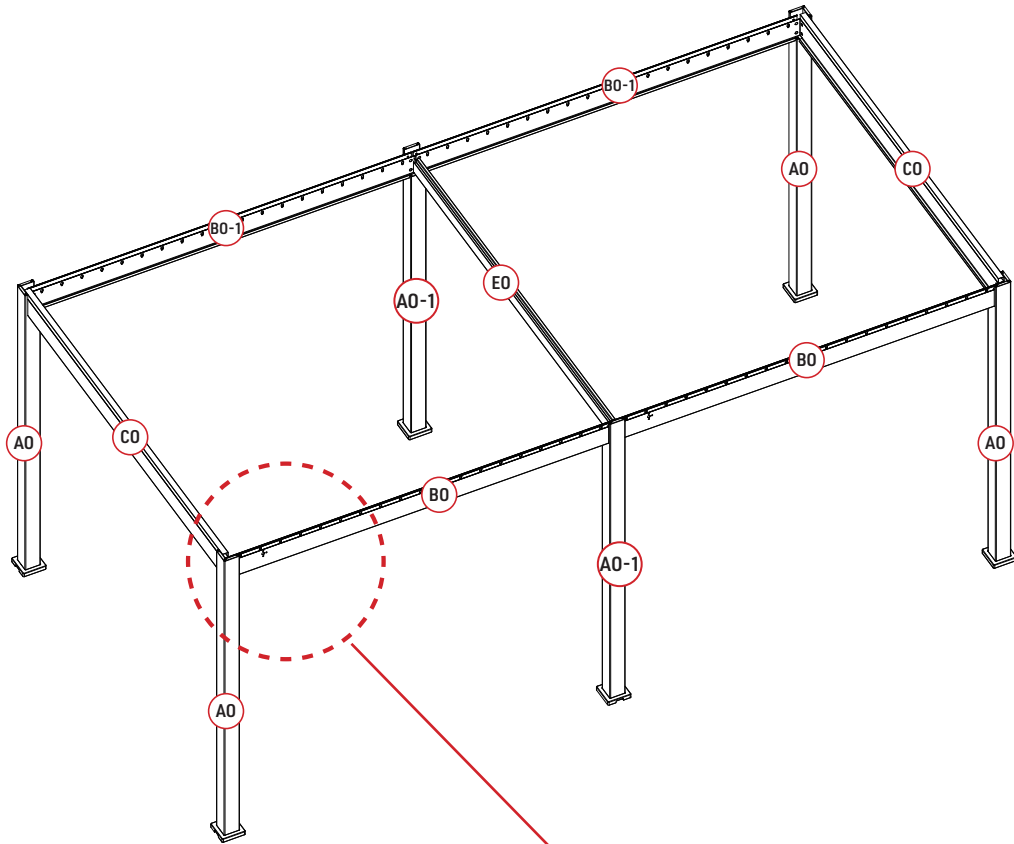
Reference	Parts	Quantity
GO		13

CARTON 5/5(LOUVERS)

Reference	Parts	Quantity
GO		12

Steps 1 :Frame





Complete the construction of the framework.



Steps 1 :Frame

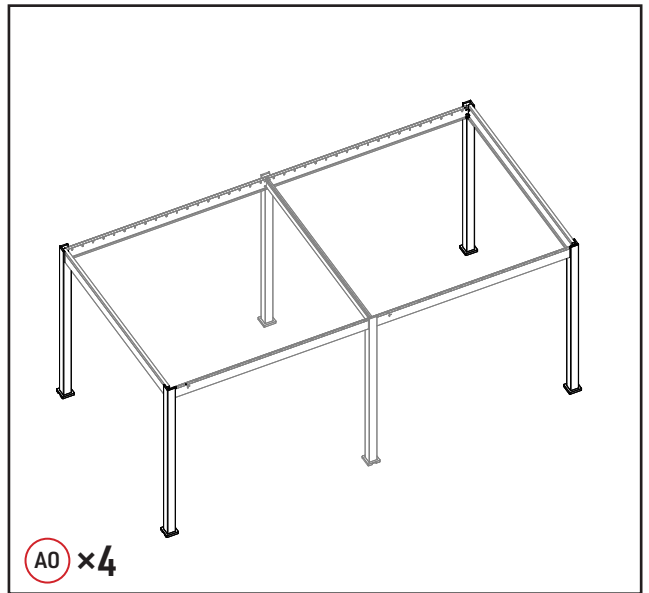
1-1

Parts

A0		4
IO		4
JO		4
X0-1		16

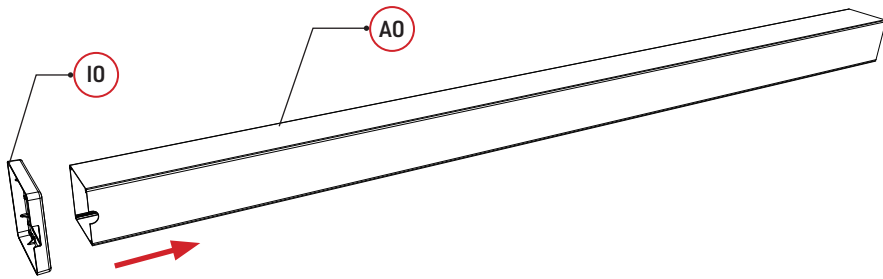
Tools

Z0-1		1
Z0-2		1

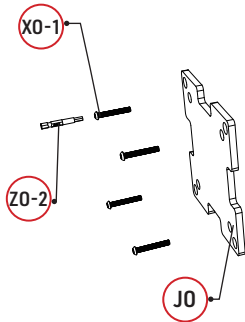


Post installation diagram

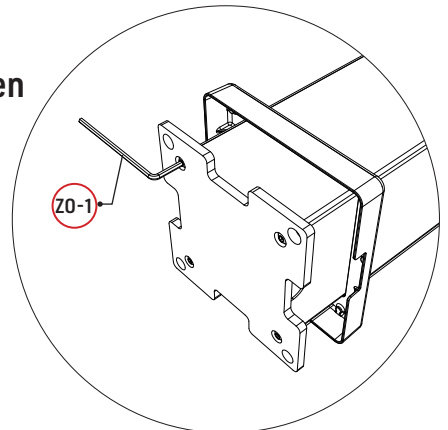
1.



2.







3. Tighten



Steps 1 :Frame

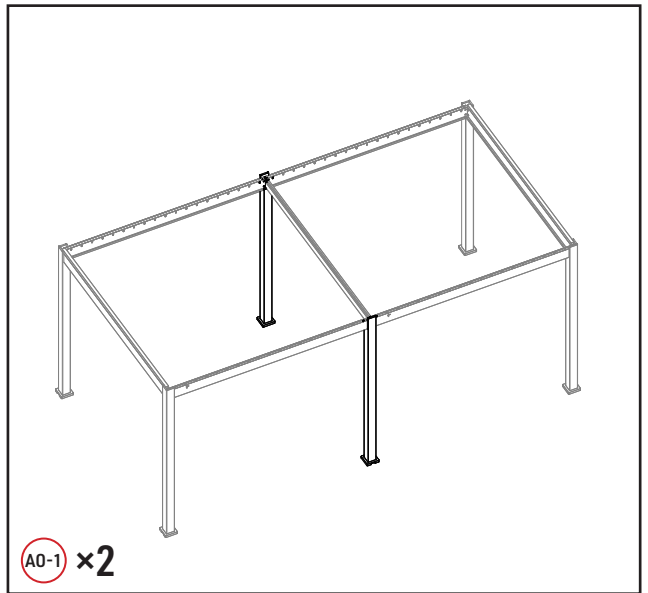
1-2

Parts

A0-1		2
I0		2
J0		2
X0-1	 6x35 4mm	8

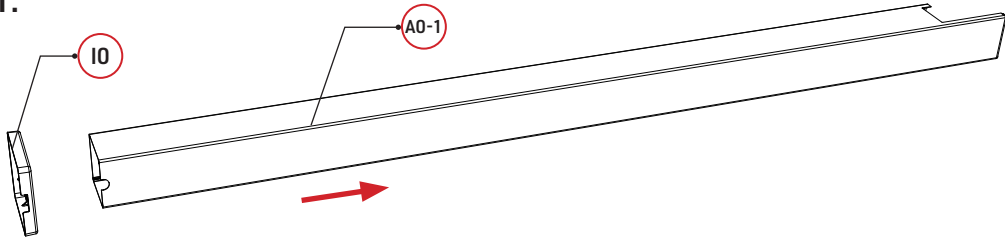
Tools

Z0-1	 4mm	1
Z0-2	 4mm	1

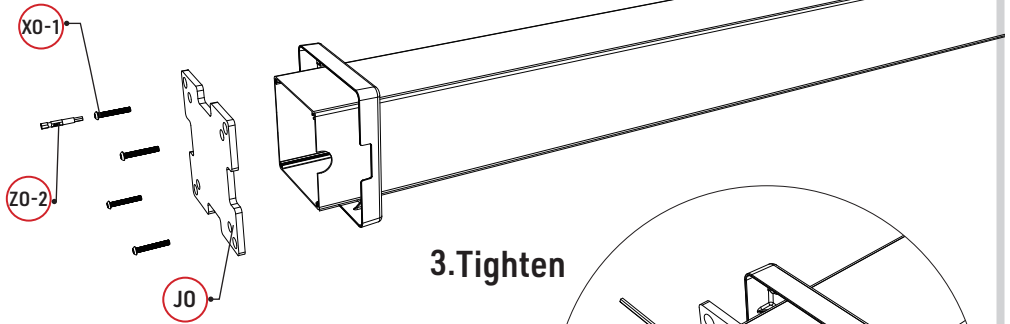


Post installation diagram

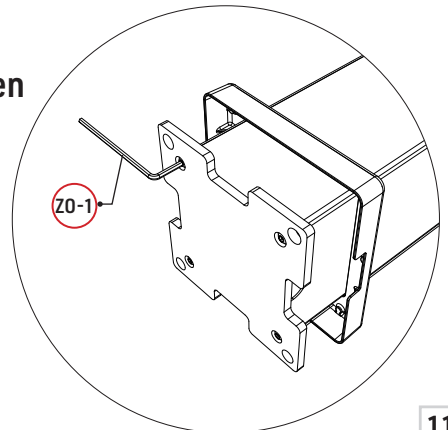
1.



2.






3. Tighten



Steps 1 :Frame

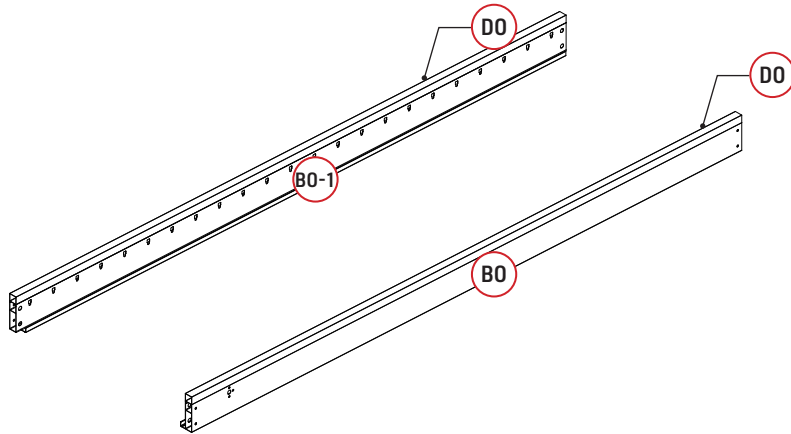
1-3

Parts

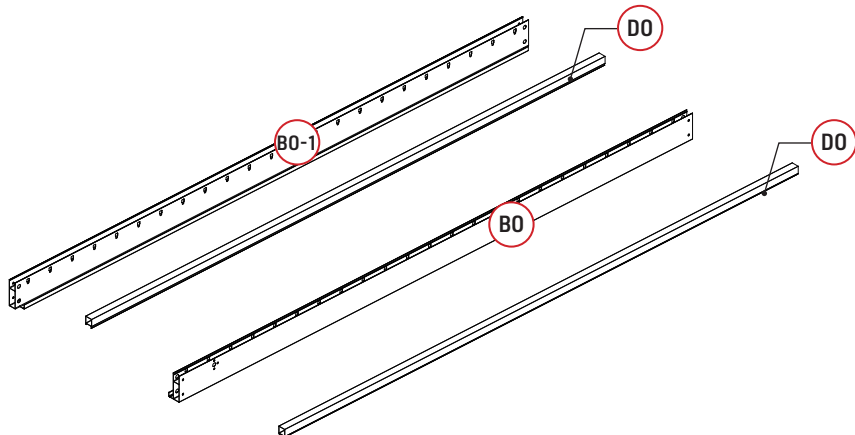
B0		2
B0-1		2
D0		4

Remove the end caps from the beam

1.




2.



Steps 1 :Frame



1-4

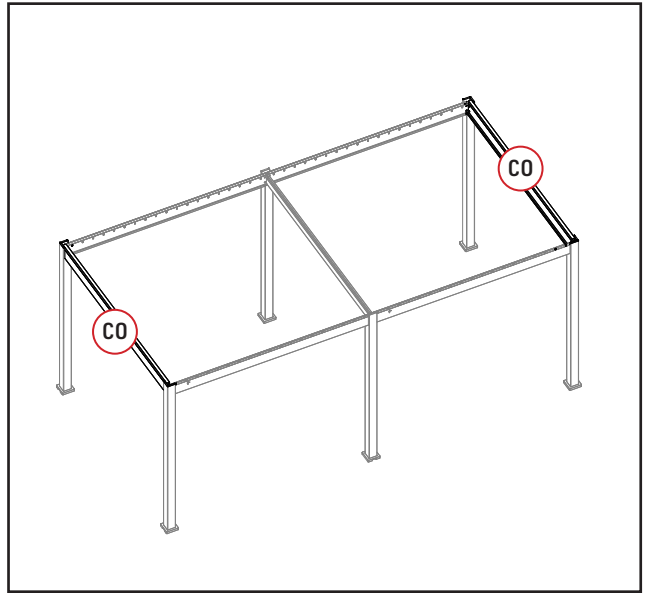
Parts

CO		2
----	---	---

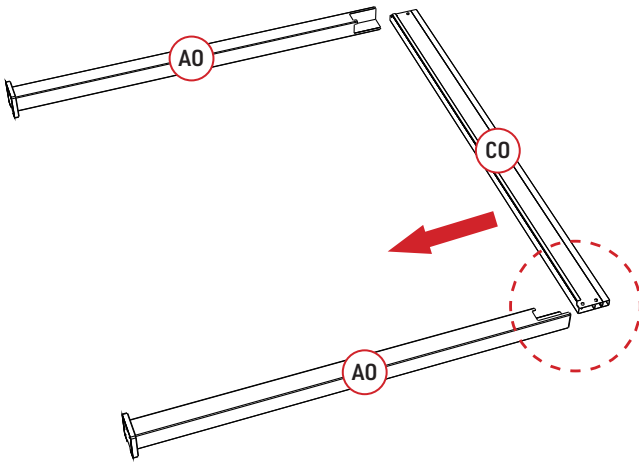
QO		8
----	---	---

Tools

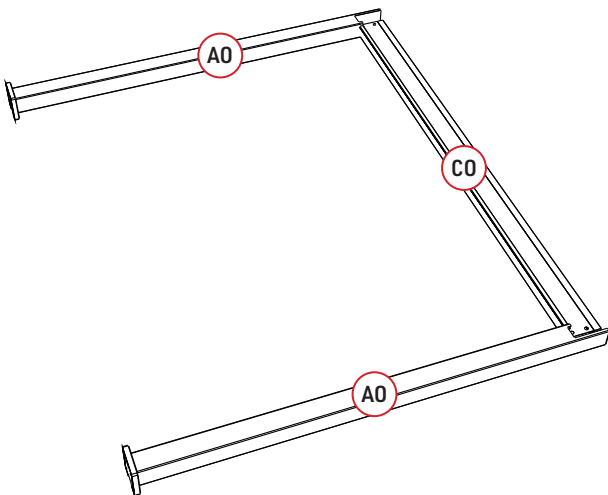
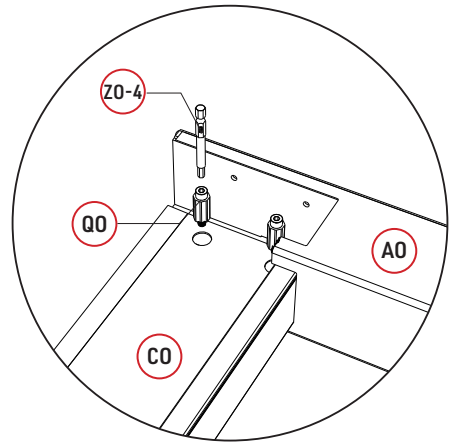
ZO-3		1
ZO-4		1



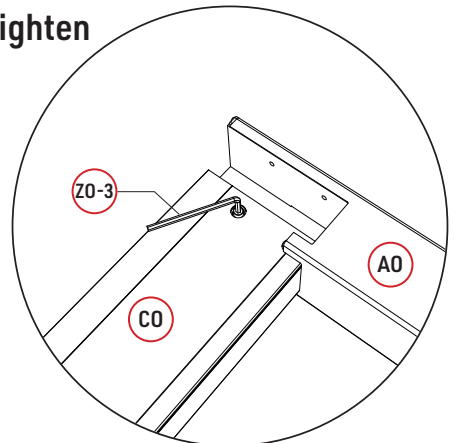
Connect beams to columns



1.



2. Tighten



Steps 1 :Frame

1-5

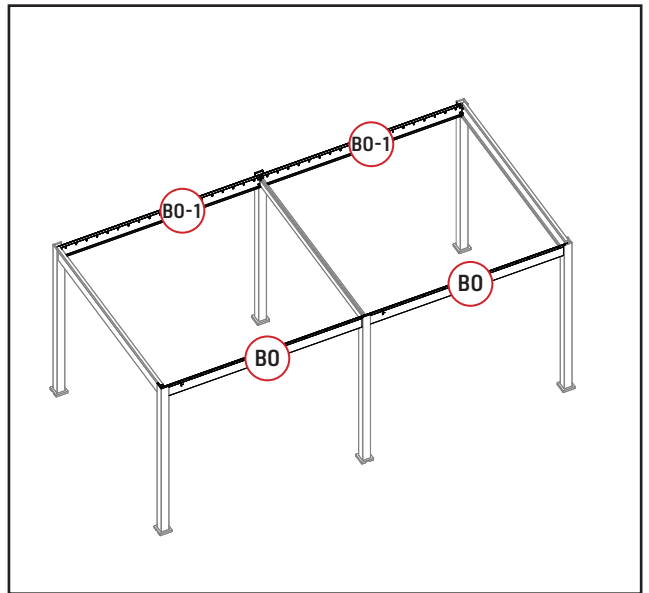
Parts

B0		2
B0-1		2

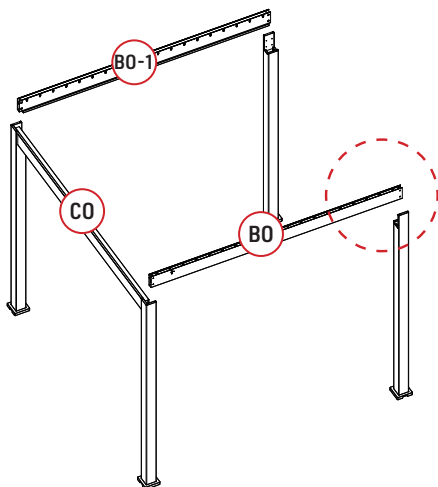
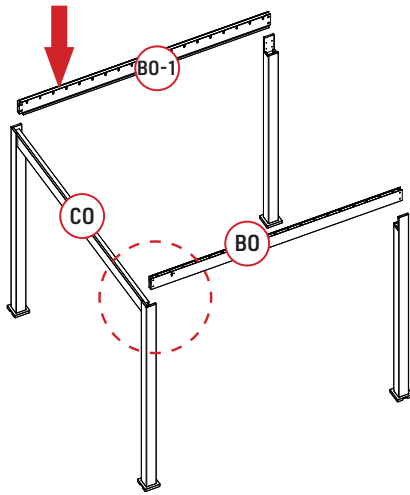
Q0		16
----	--	----

Tools

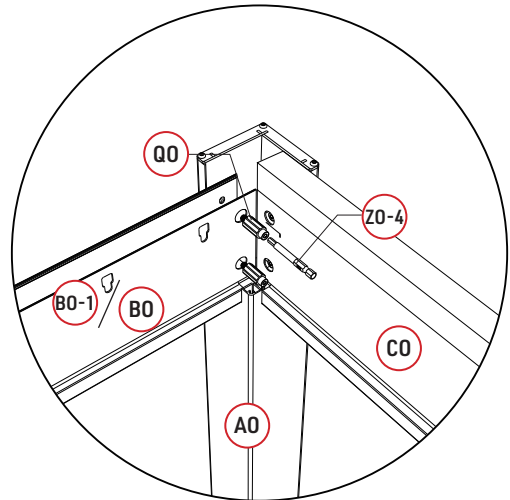
Z0-3		1
Z0-4		1



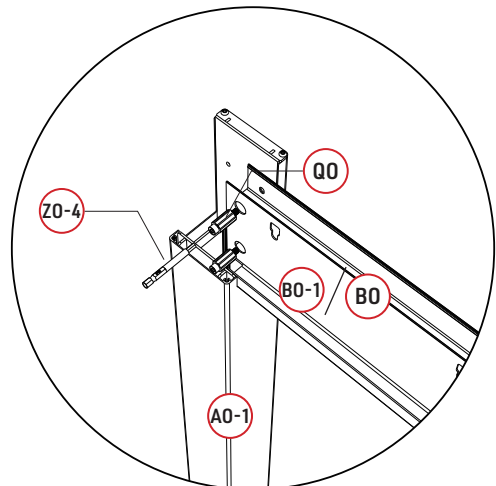
Connect beams to columns

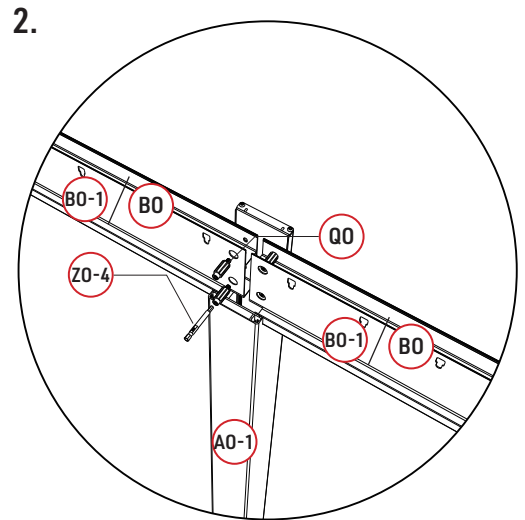
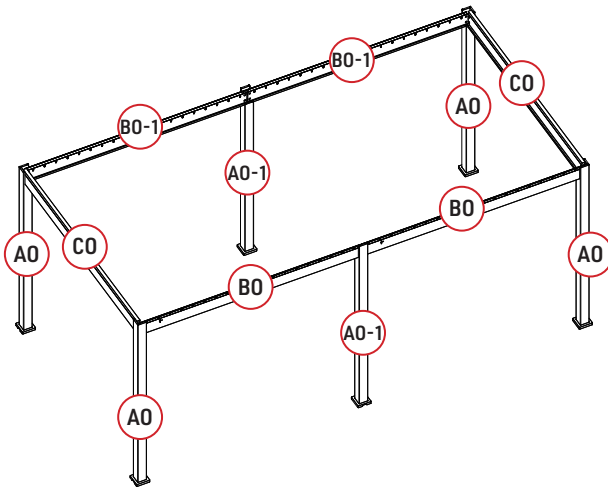
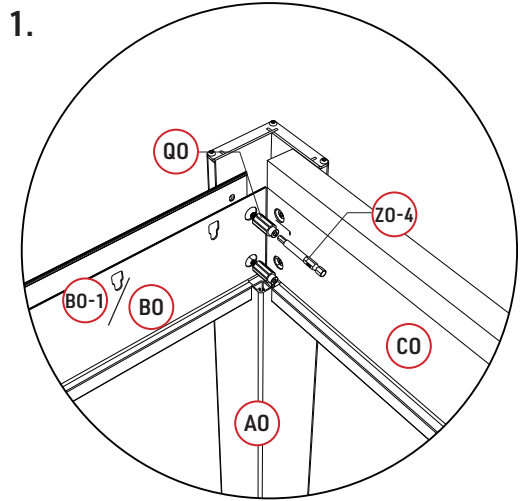
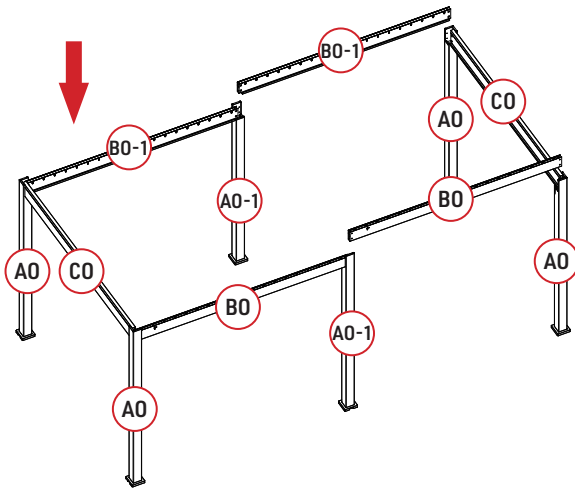


1.

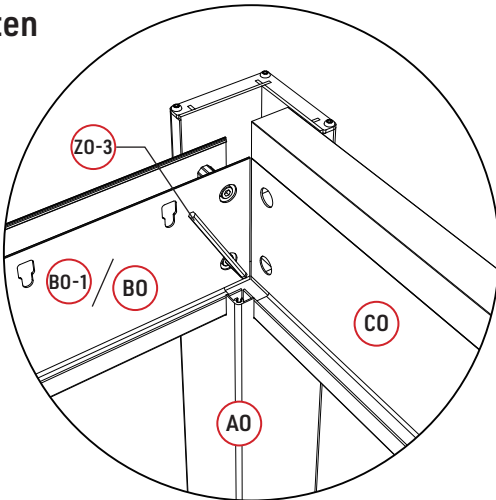


2.

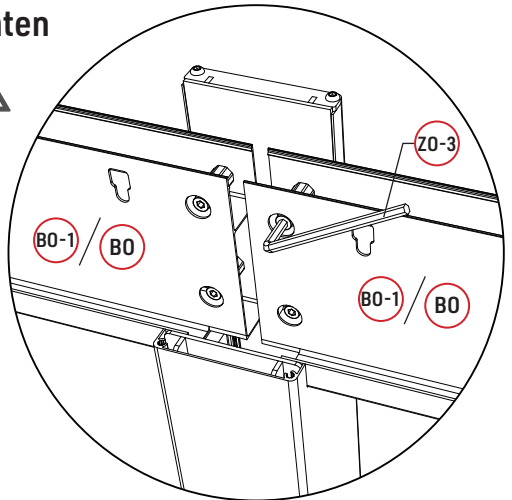




Tighten




Tighten




Steps 1 :Frame

1-6

Parts


EO		1
----	---	---

EO-1		2
------	---	---


WO-1	 	6
------	---	---

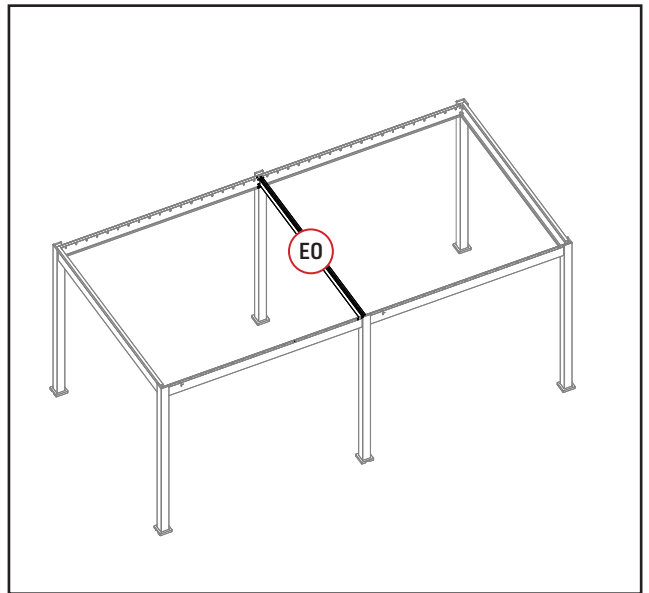
XO-3	 	4
------	---	---

Tools

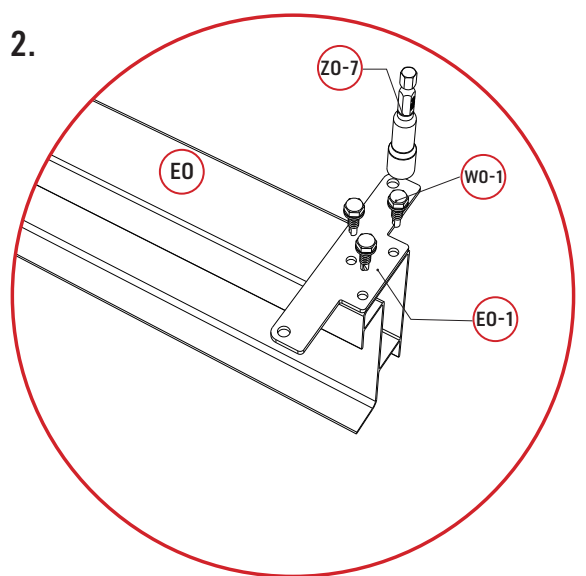
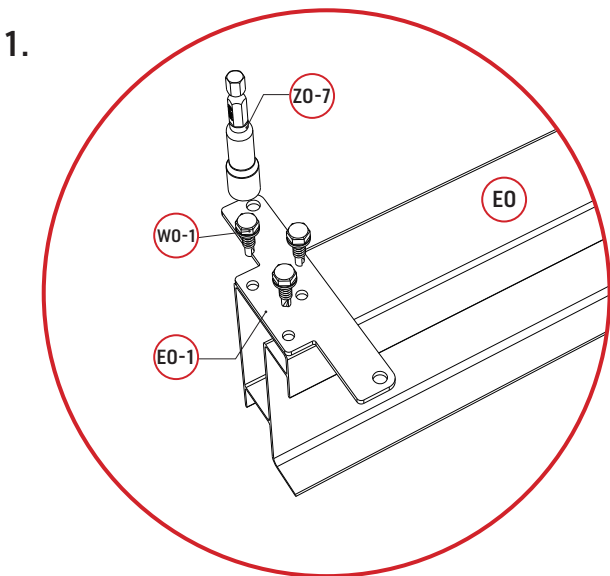
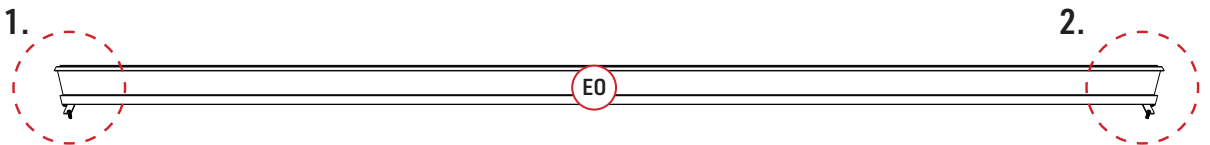
ZO-1	 4mm	1
------	---	---

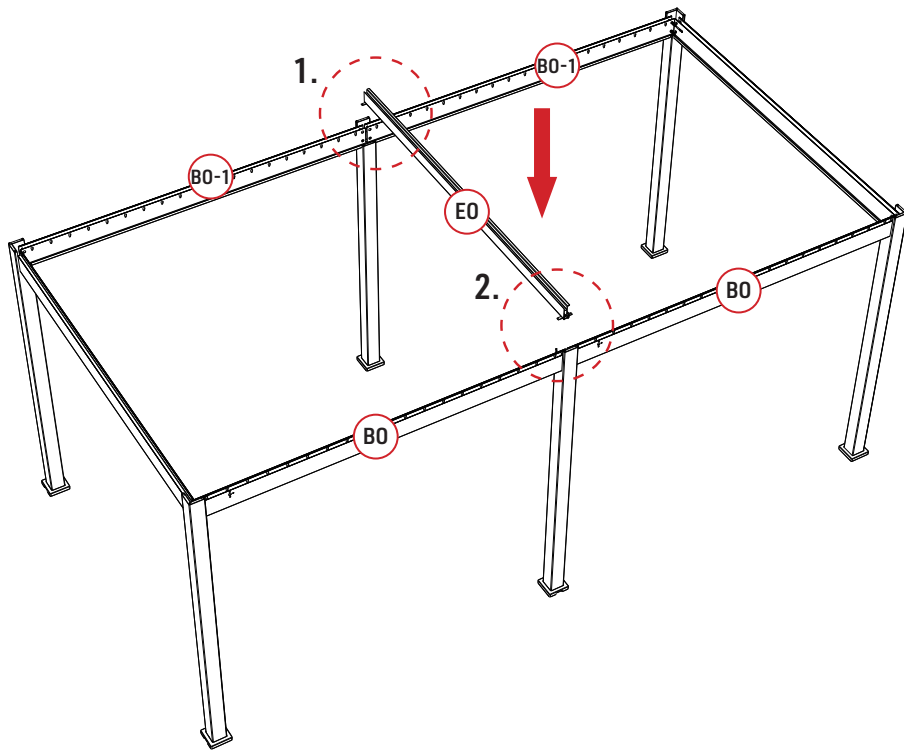
ZO-2	 4mm	1
------	---	---

ZO-7		1
------	---	---

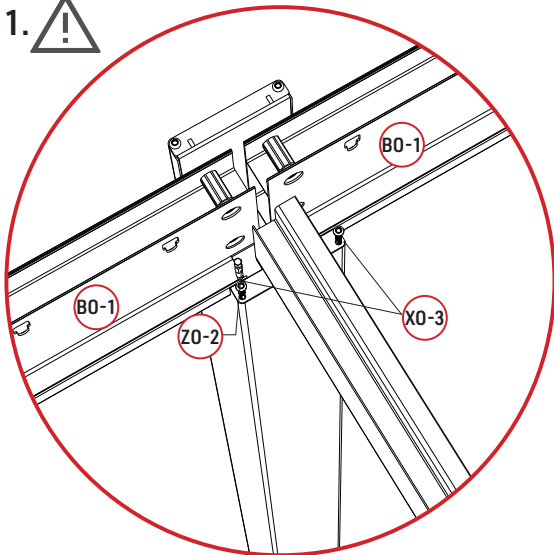


Connect beams to columns

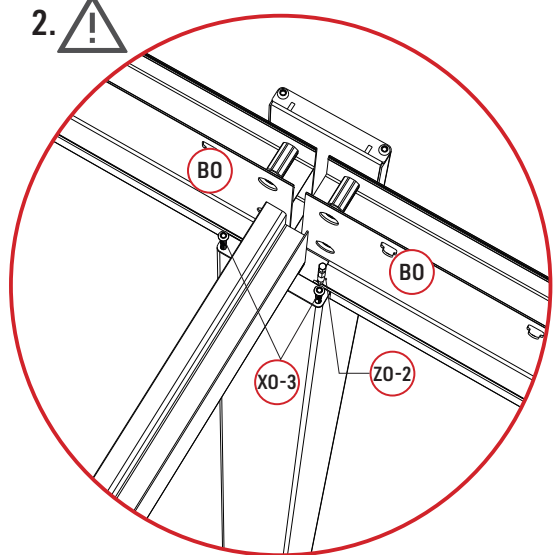




1. !

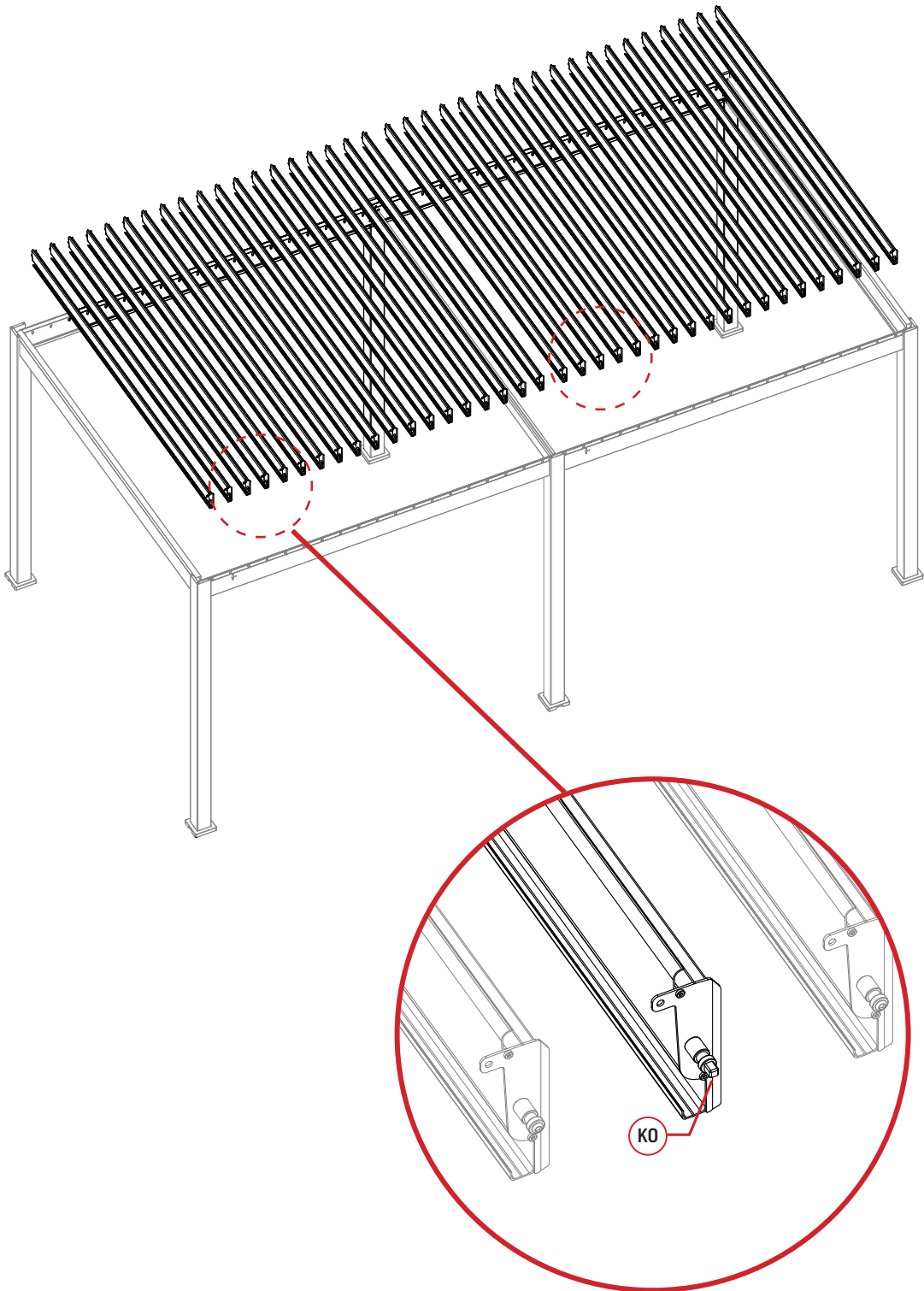


2. !



Steps 2 :LOUVERS

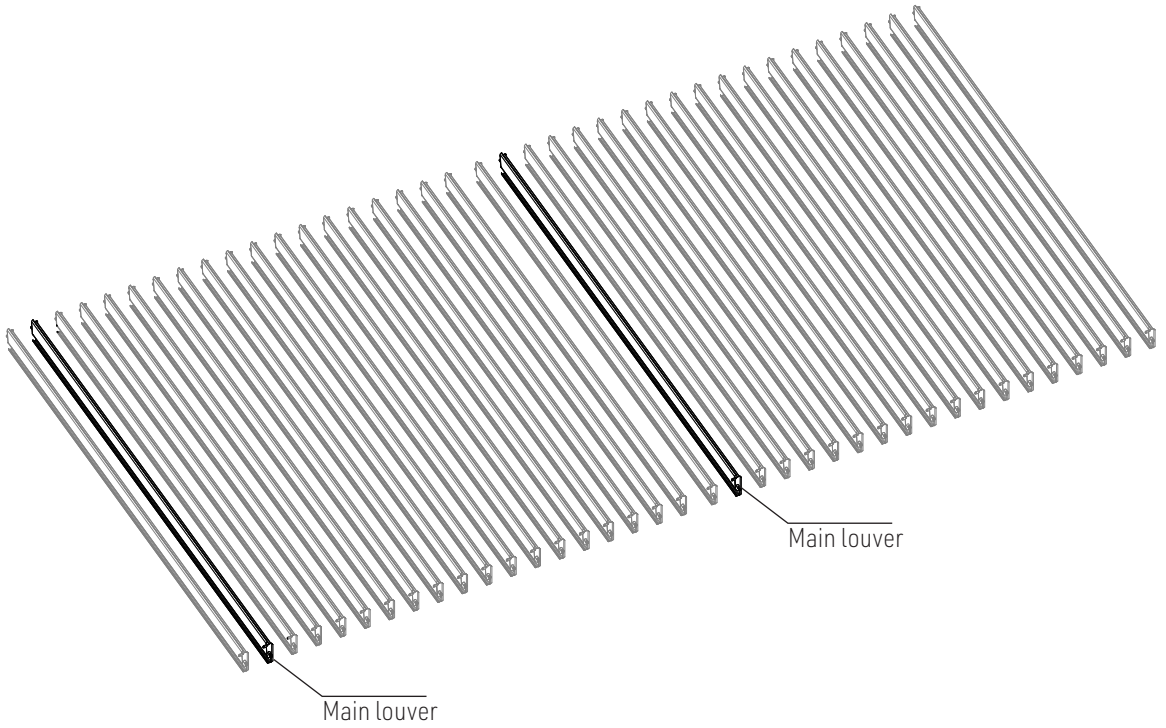
The pergola consists of 38 louvers, divided into main louvers and linkage louvers.



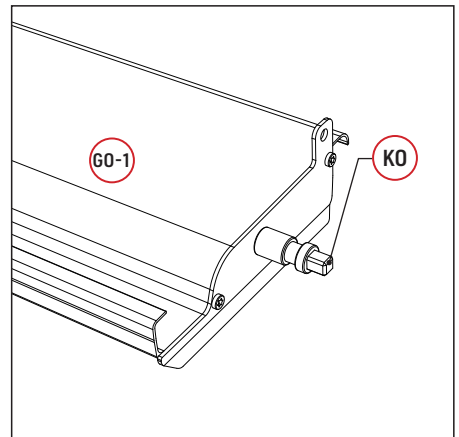
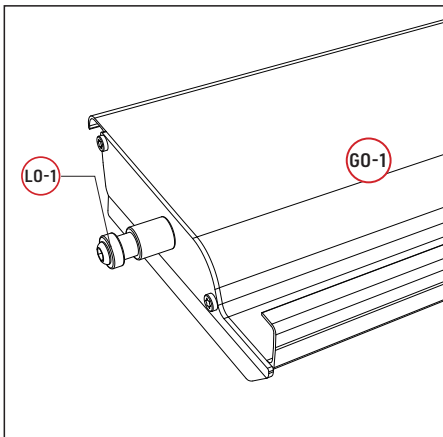
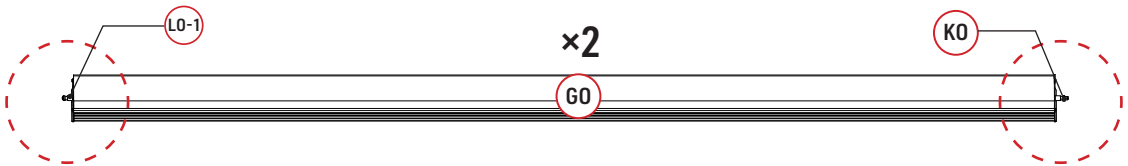
Steps 2 :LOUVERS

Main louver

The pergola consists of 38 louvers, divided into main louvers and linkage louvers.



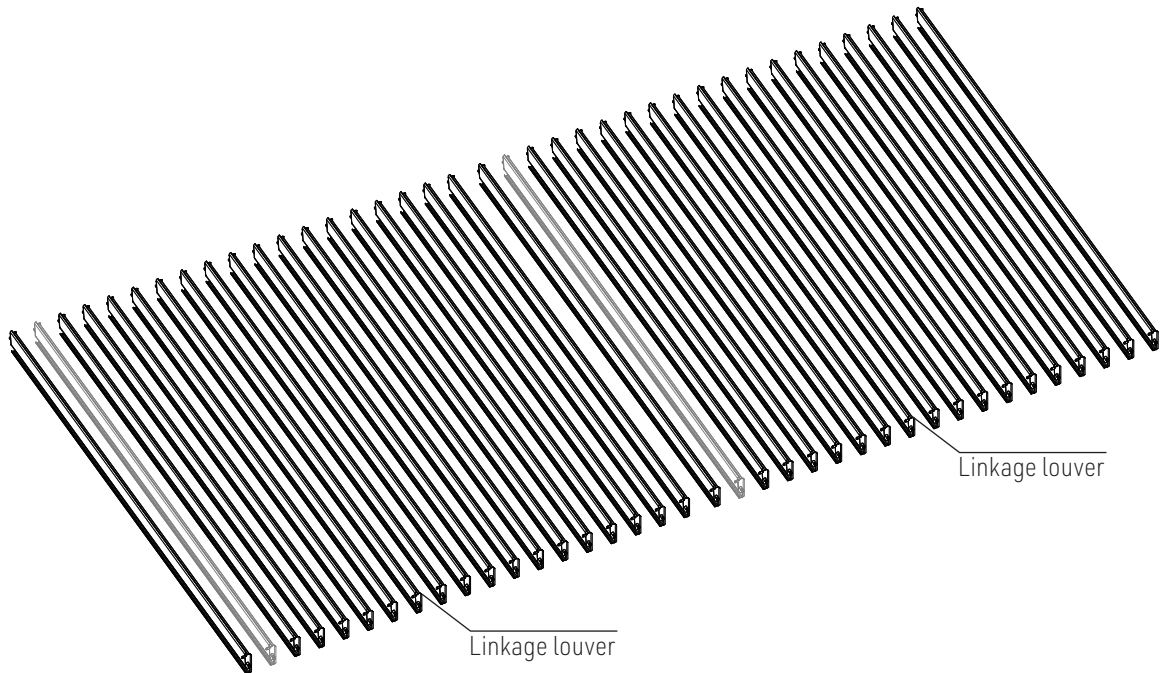
Completion Diagram



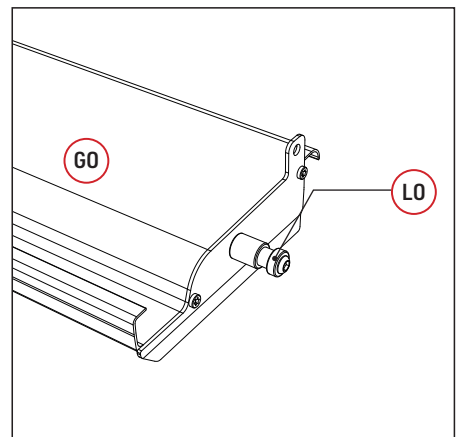
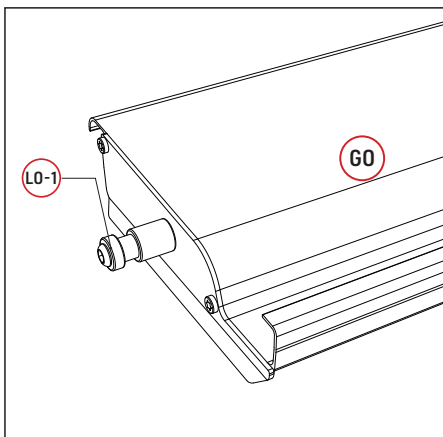
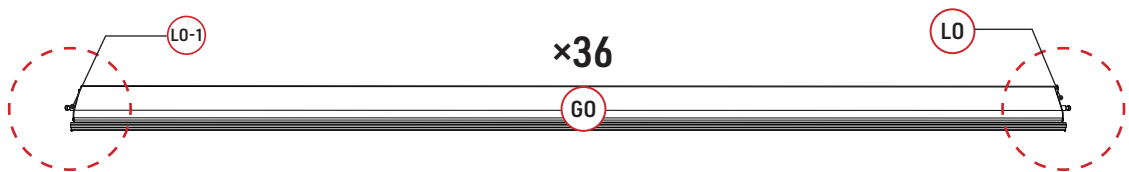
Steps 2 :LOUVERS

Linkage louver

The pergola consists of 38 louvers, divided into main louvers and linkage louvers.








Completion Diagram





Steps 2 : LOUVERS

2-1

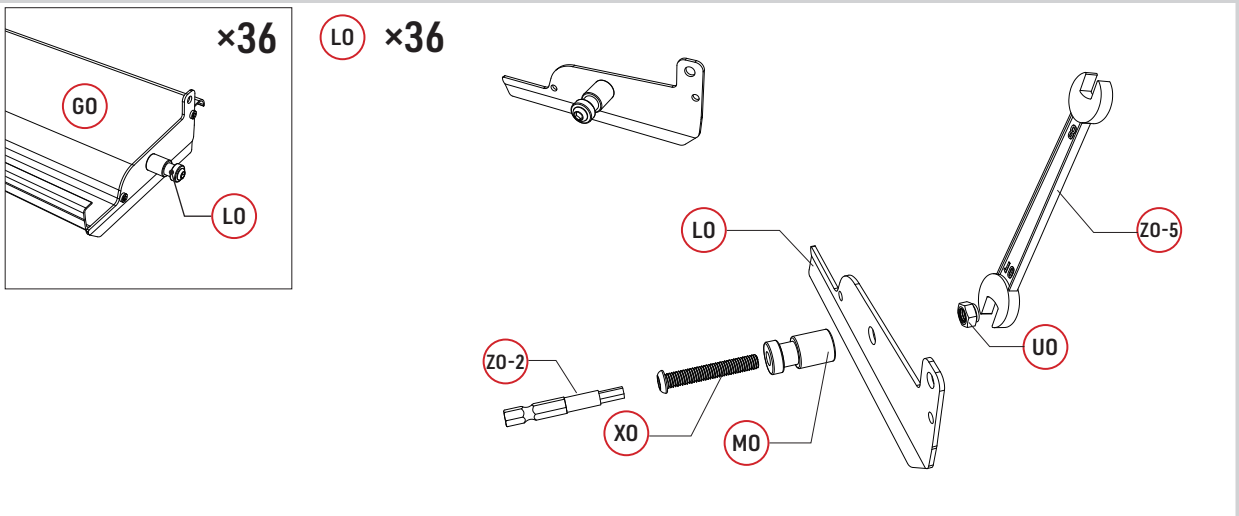
Parts

LO		36	XO		74
LO-1		38	UO		74
MO		74			

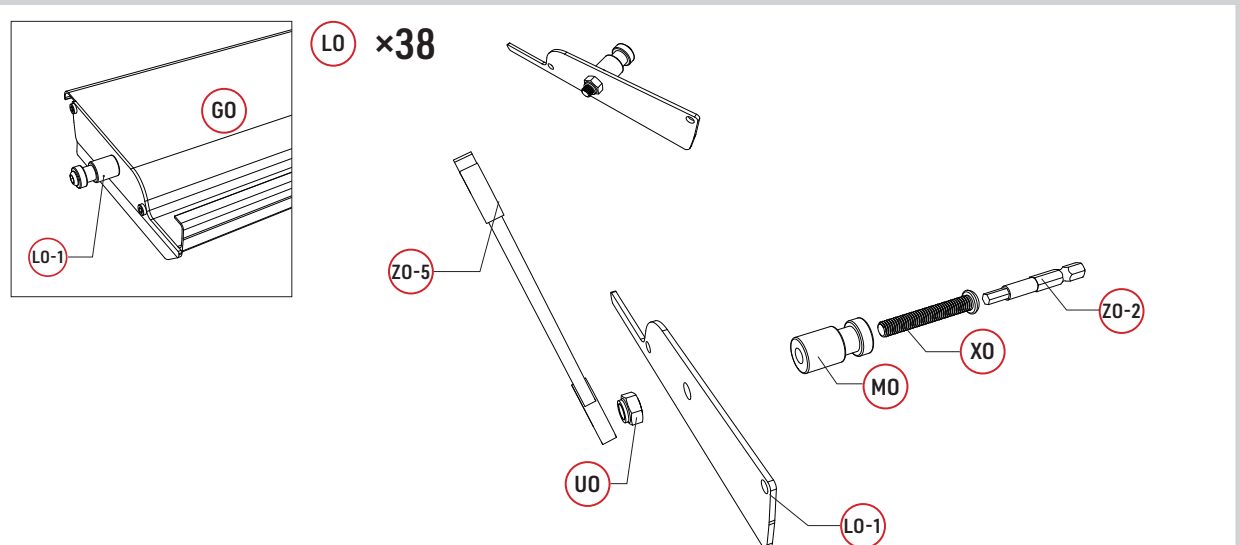
Tools

ZO-3		1
ZO-4		1

Louver sealing plate





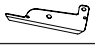



Louver sealing plate





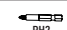
Steps 2 : LOUVERS

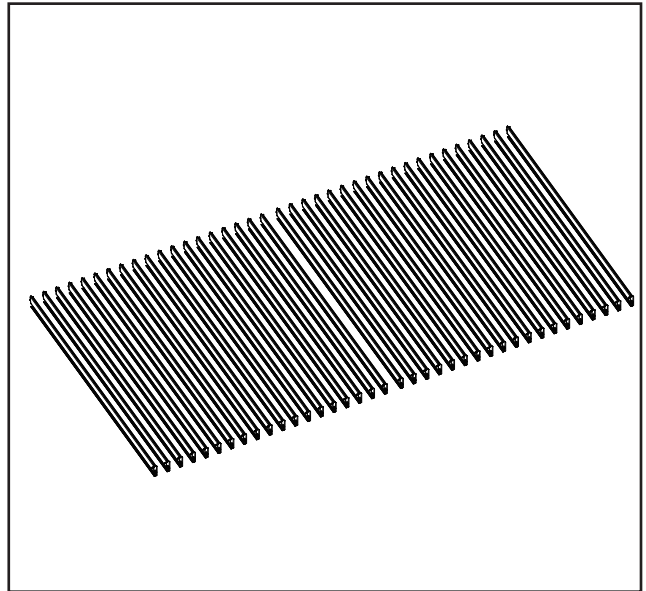
2-2

Parts

GO		38
KO		2
LO		36
LO-1		38
WO	 	152

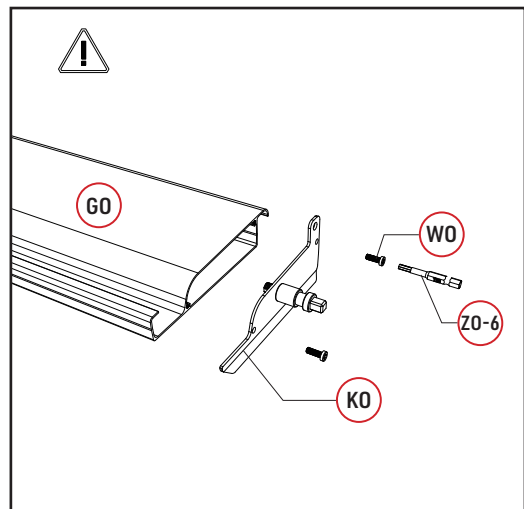
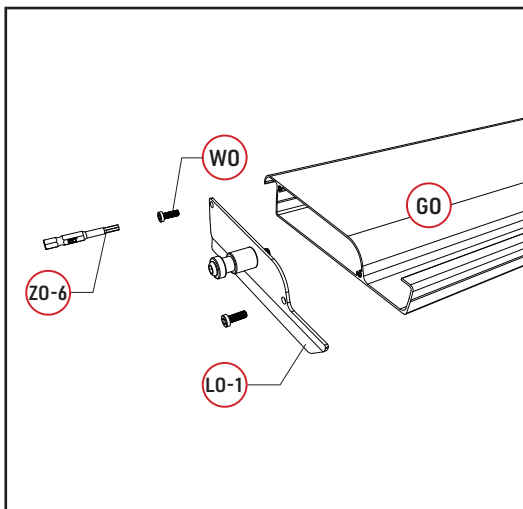
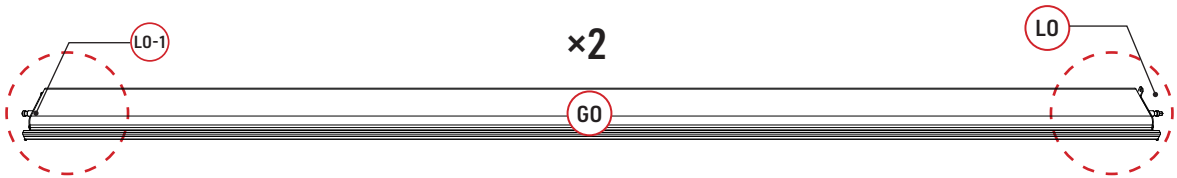
Tools

ZO-1	 4mm	1
ZO-2	 4mm	1
ZO-6	 PH2	1



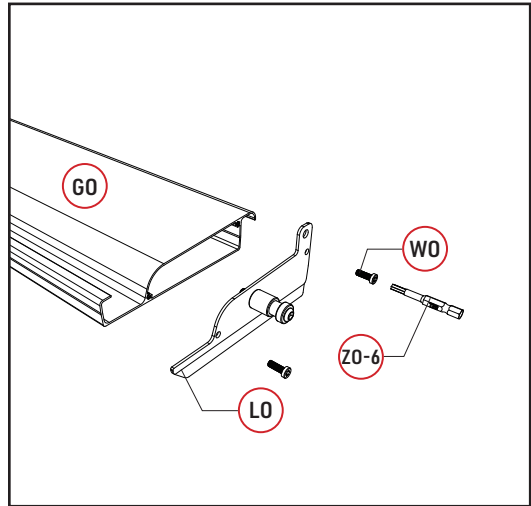
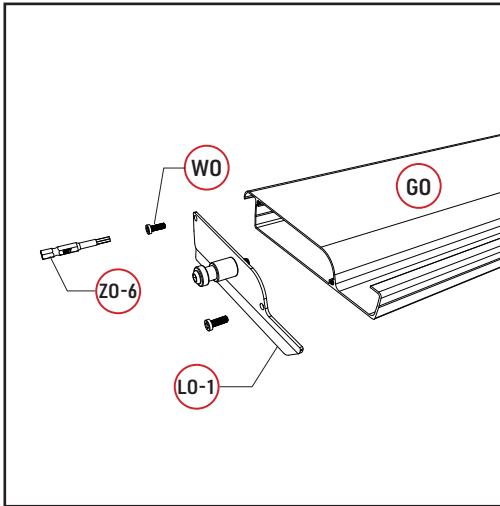
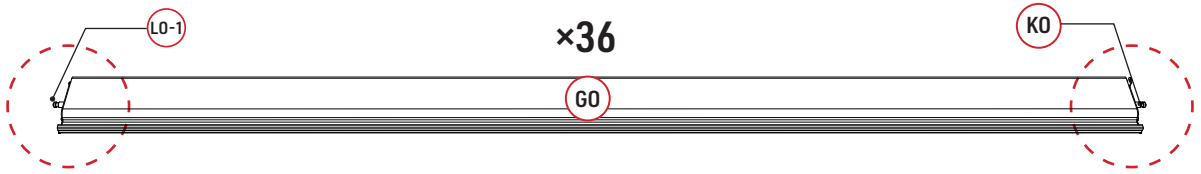
Main louver connection

Completion Diagram



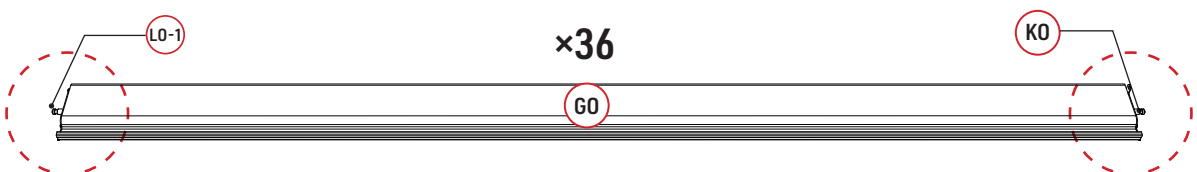
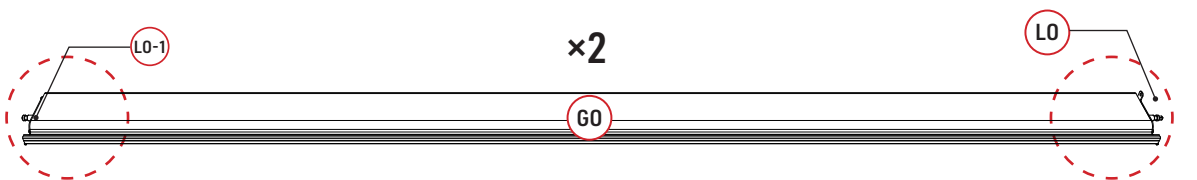
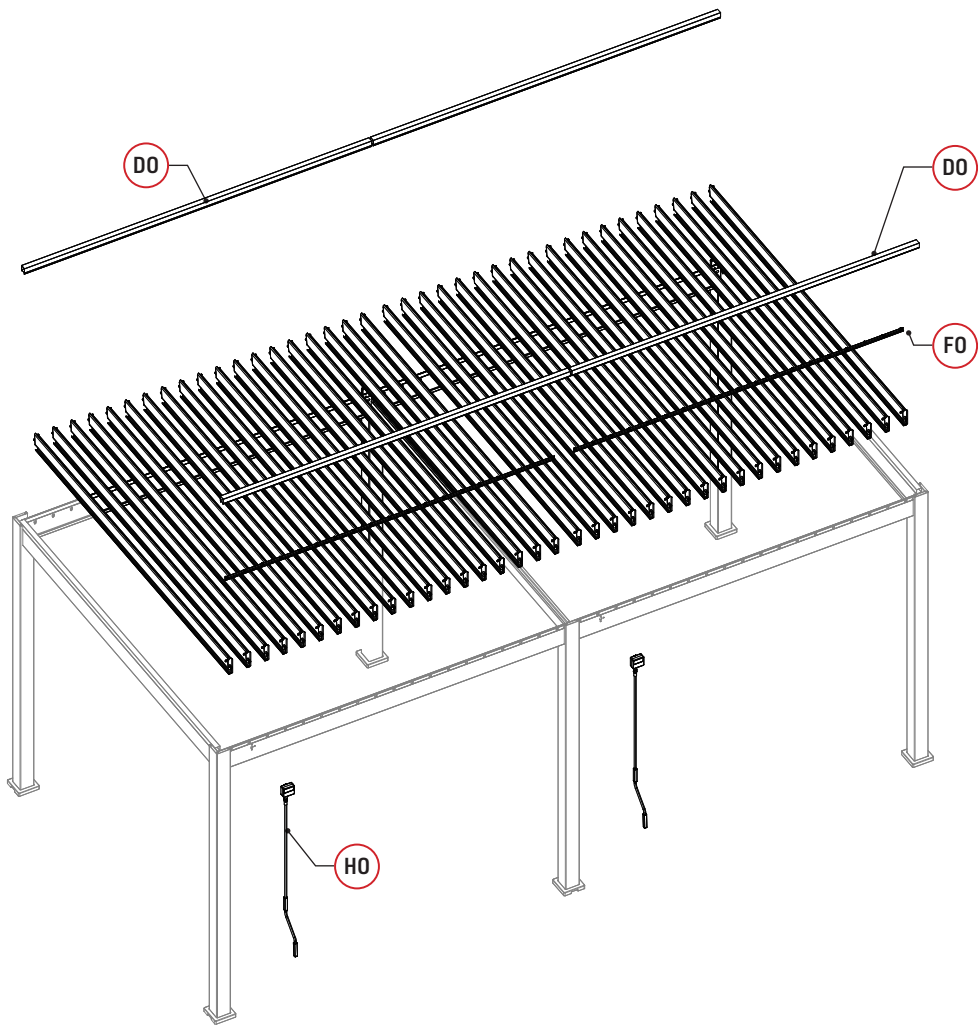
Linkage louver connection

Completion Diagram



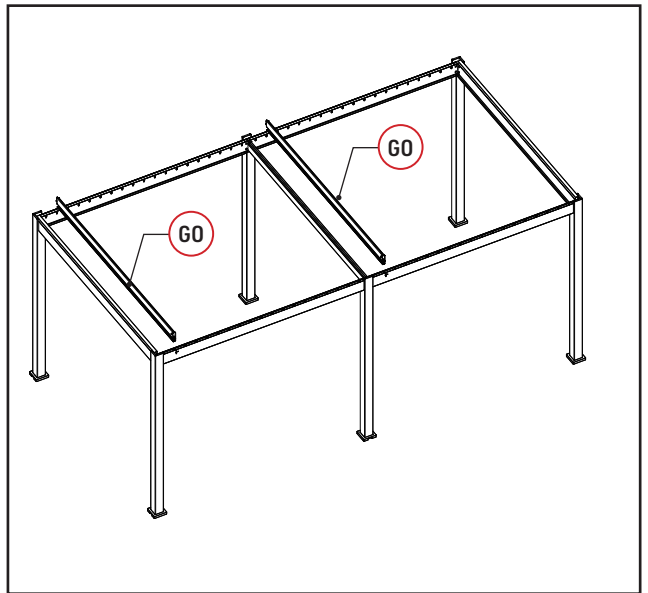
Steps 3 :CONNECTORS

The pergola consists of 38 louvers, divided into main louvers and linkage louvers.

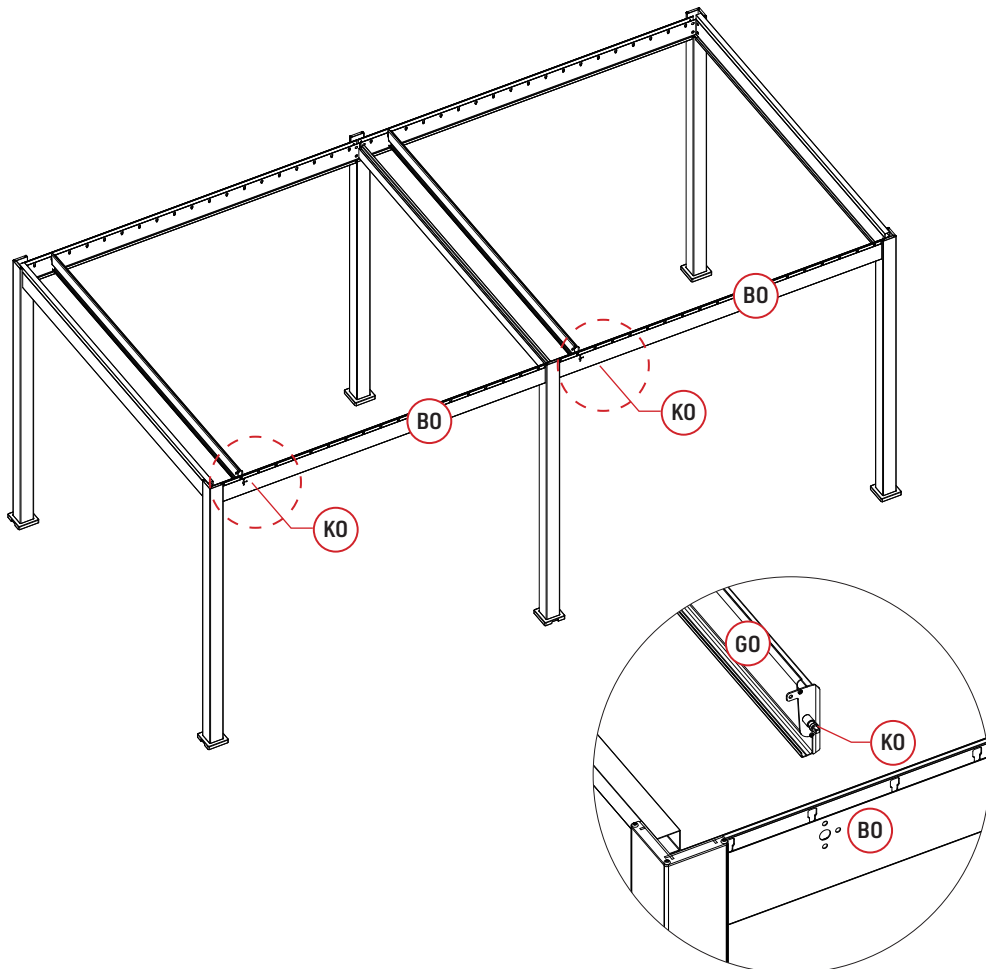


Steps 3 :CONNECTORS

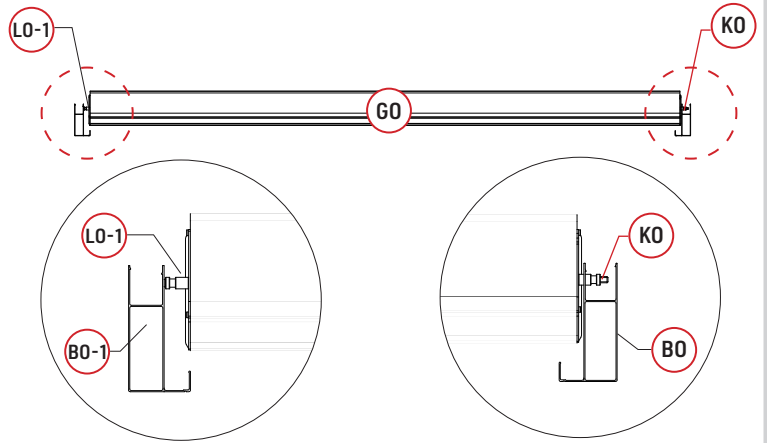
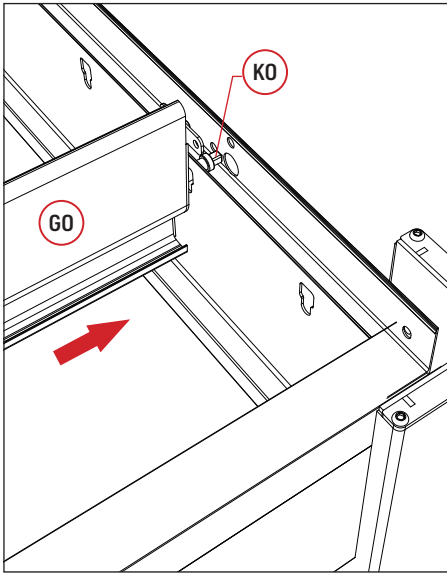
3-1



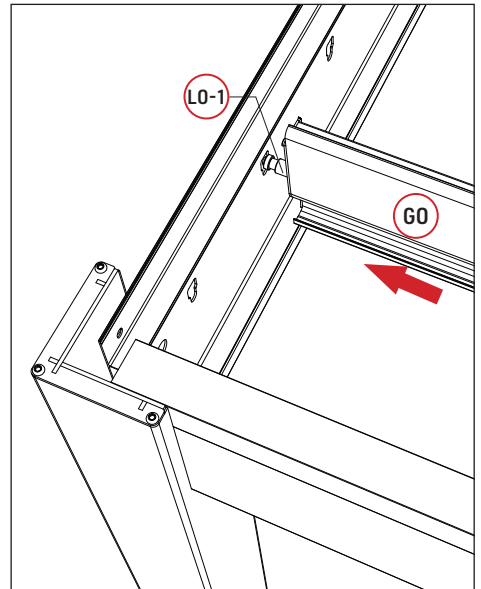
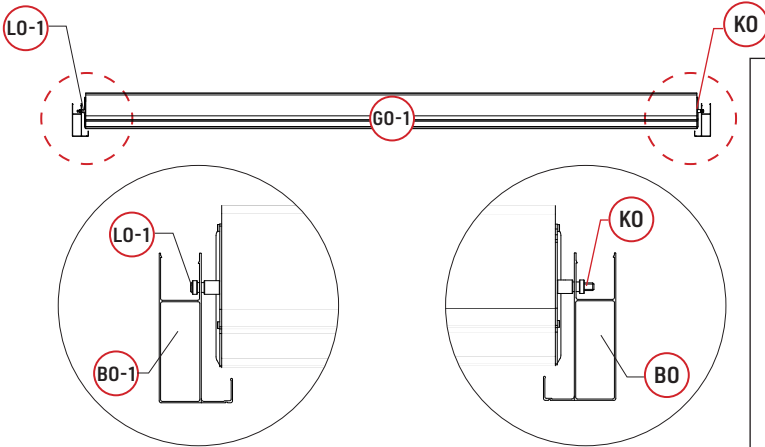
Fasten rubber plugs on both ends of the louvers



1



2

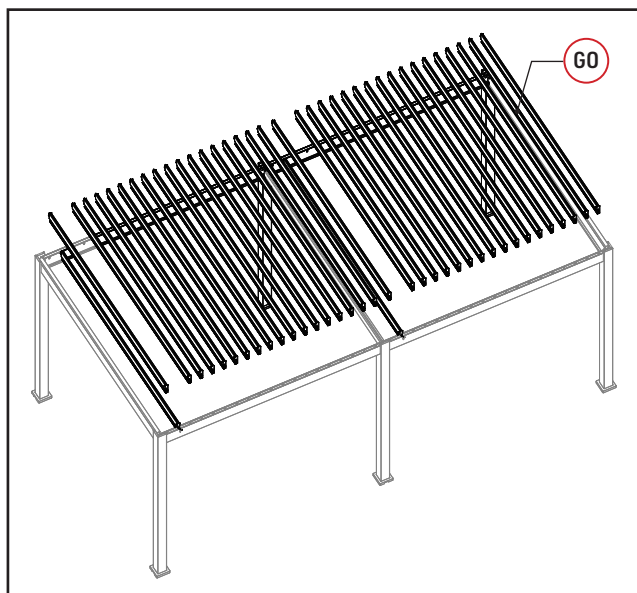


Steps 3 :CONNECTORS

3-2

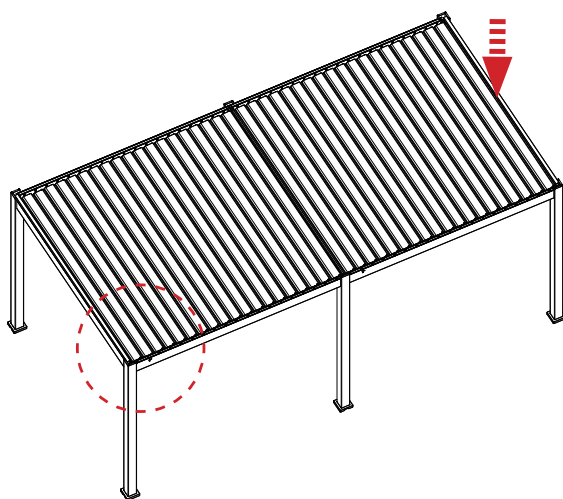
Parts

S0		76
----	---	----

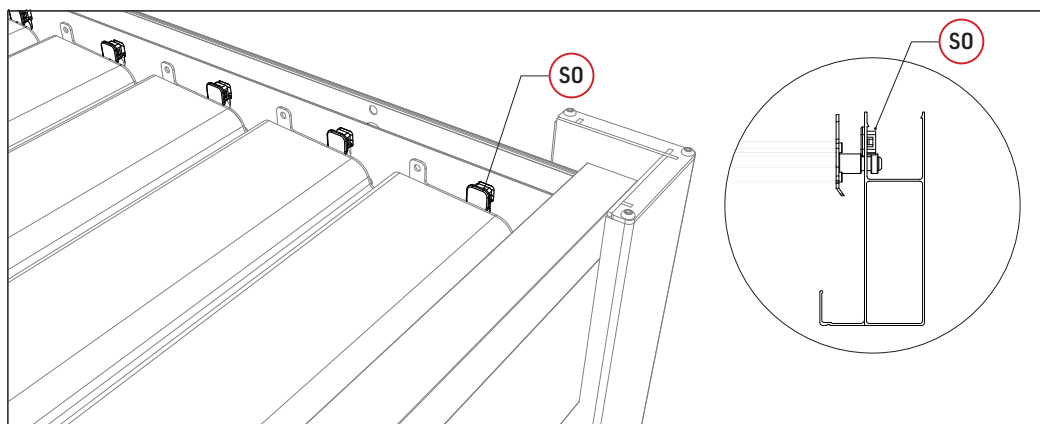


Put in the other louvers and seal the end caps

1








2

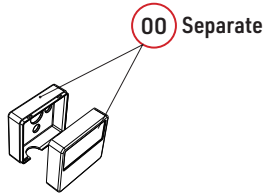


Steps 3 :CONNECTORS



3-3

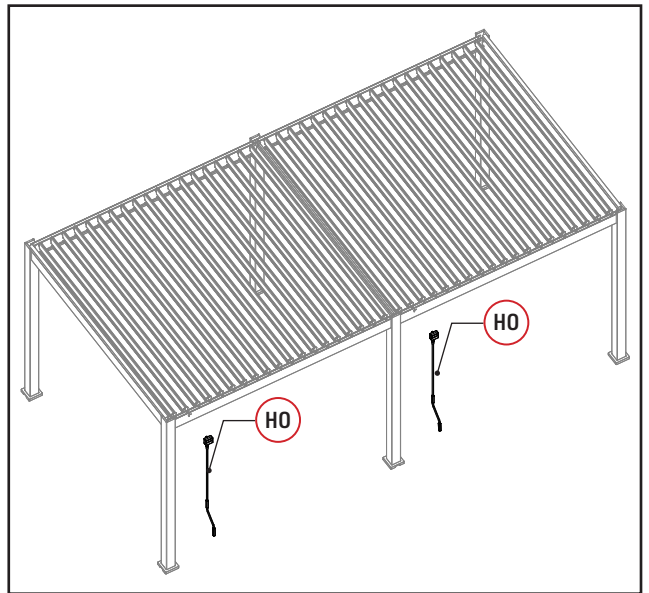
Parts

HO		2			
NO		2	YO		6
OO		2			
PO		2			



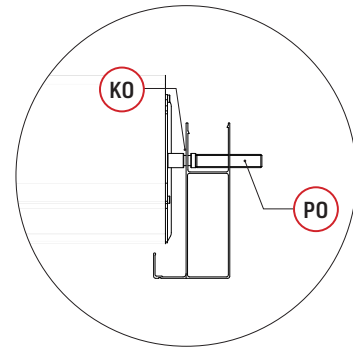
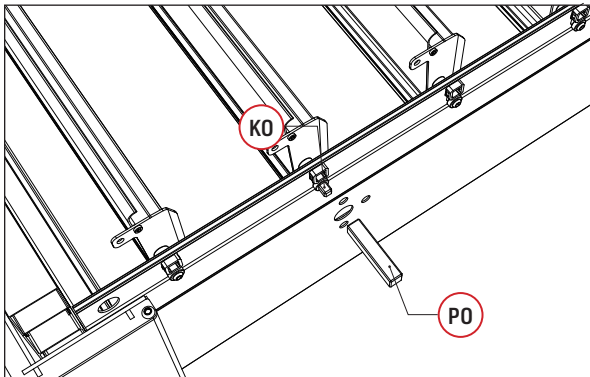
Tools

ZO-1		1
ZO-2		1

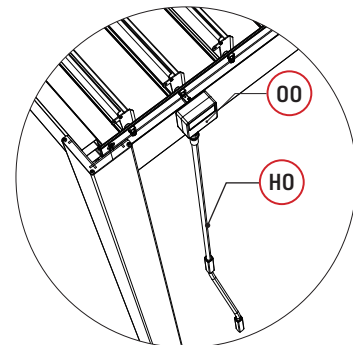
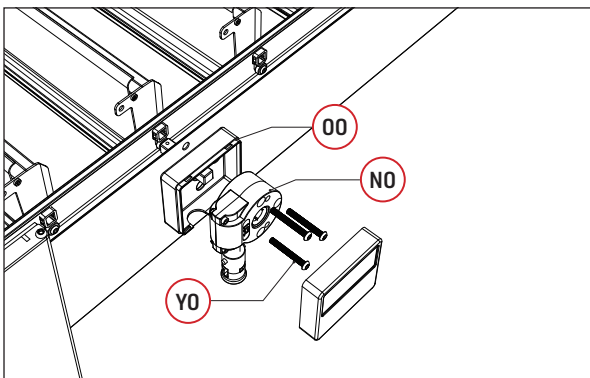


Complete the connection of the main shaft louvers

1






2






Steps 3 :CONNECTORS

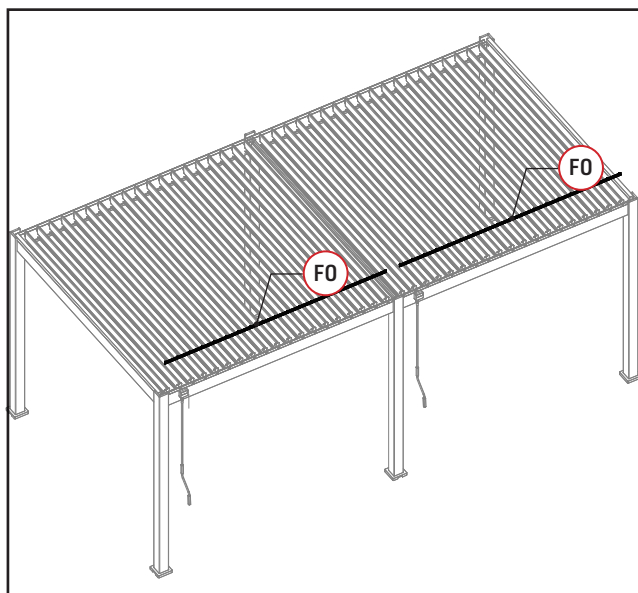
3-4

Parts

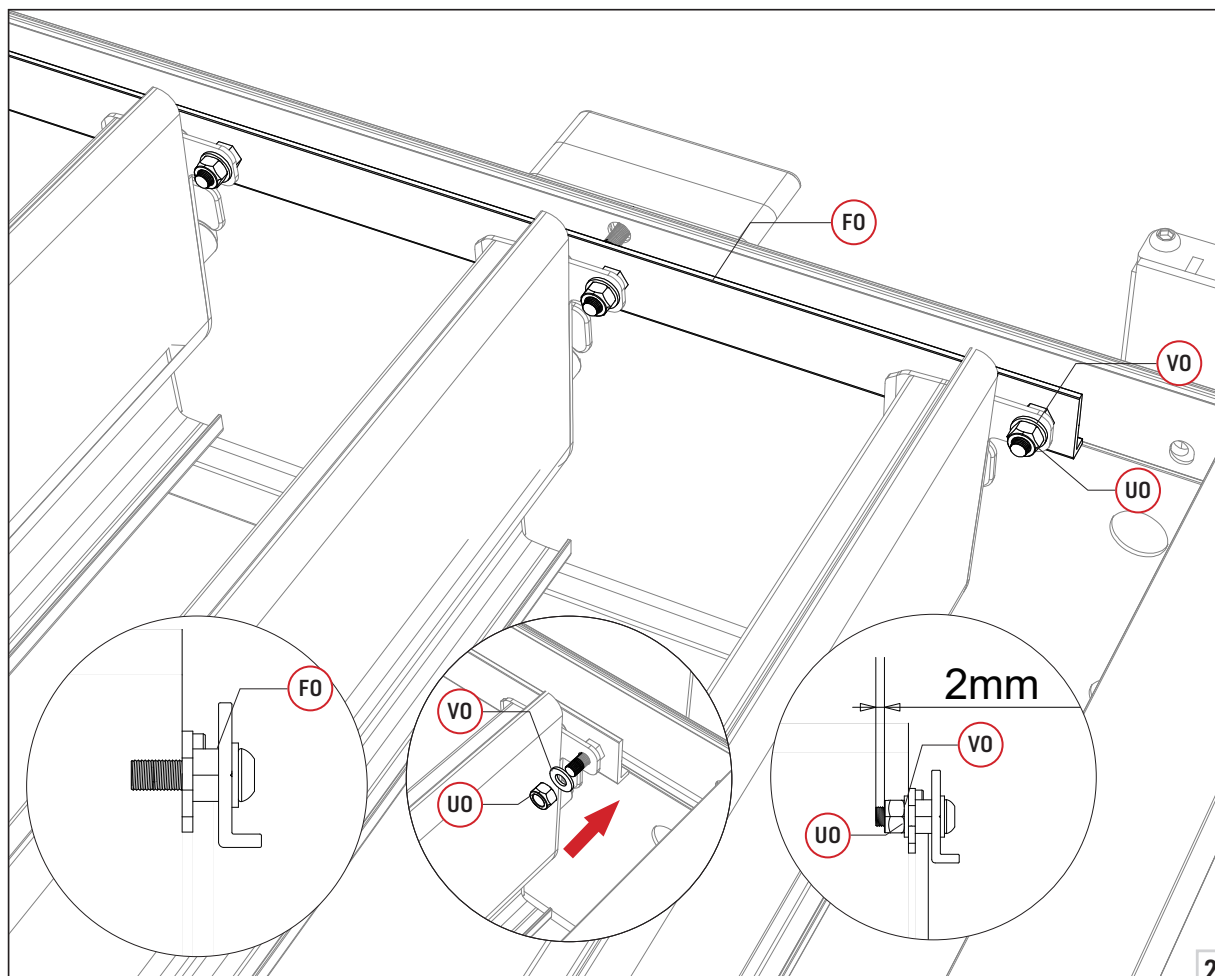
F0		2
V0		38
U0		38

Tools

Z0-1		1
Z0-2		1
Z0-5		1







Louver connection

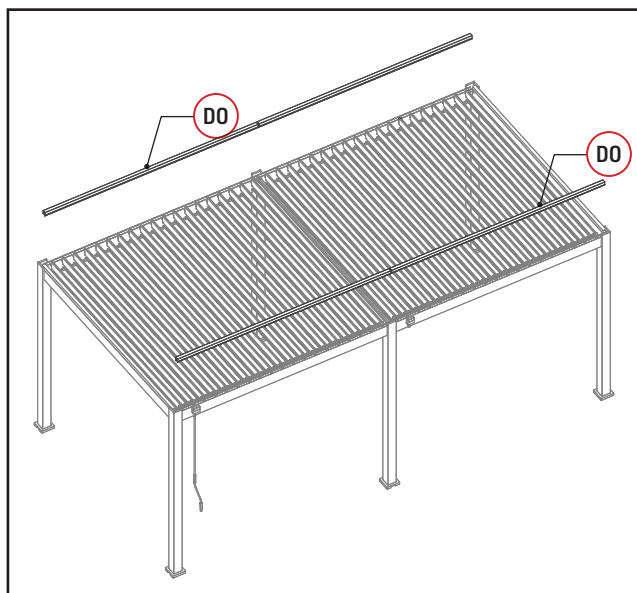


Steps 3 :CONNECTORS

3-5

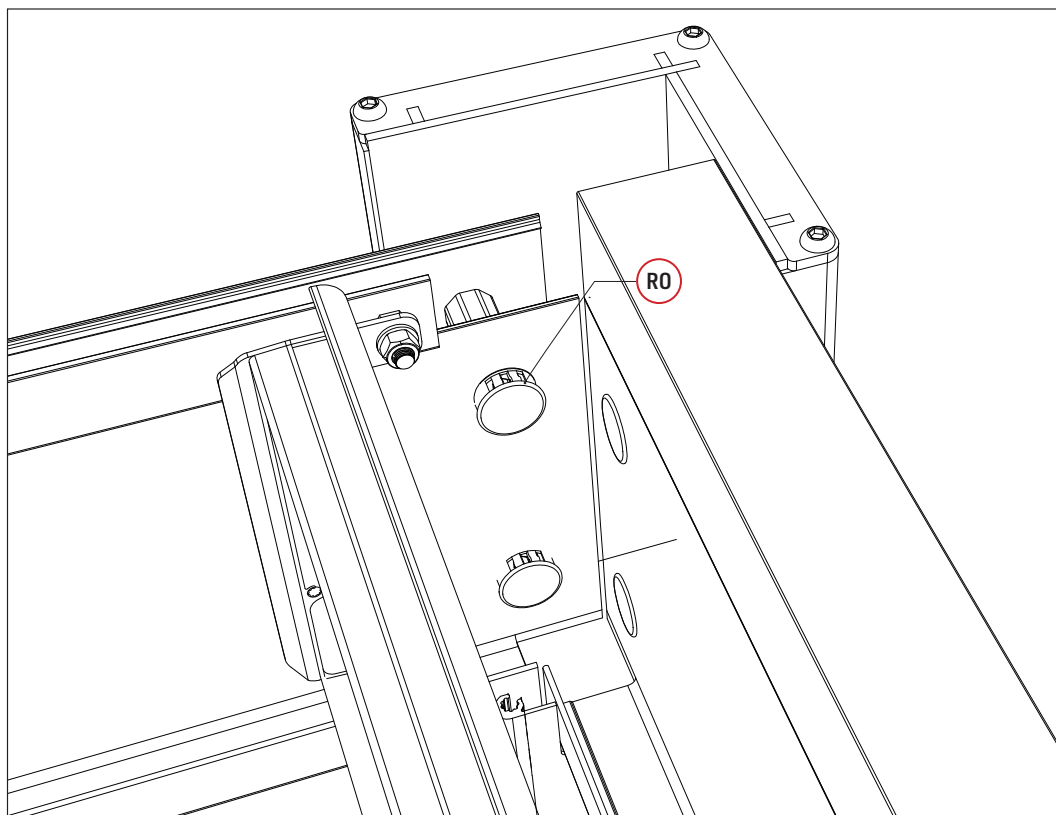
Parts

DO			4
RO			24
TO		10x80	24

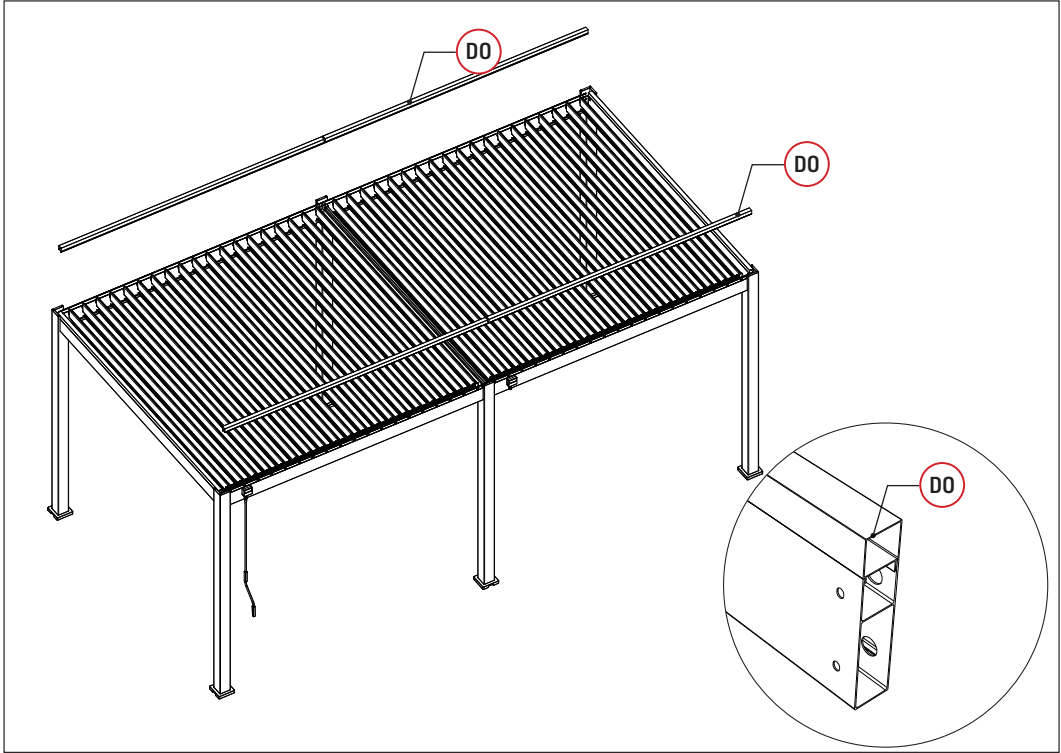


Close the cover to complete the fixing of the pergola

1



2



3

